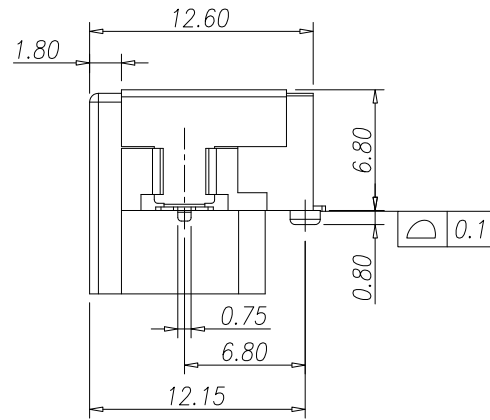
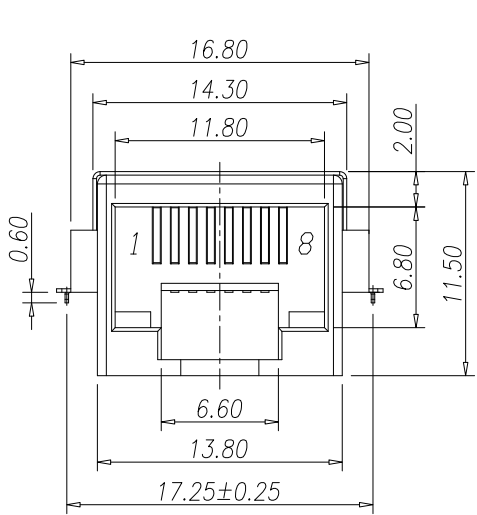


ROHS ENVIRONMENTAL PROTECTION

REV.	DESCRIPTION	ECN NO.	APPD.
R1	NEW RELEASE		

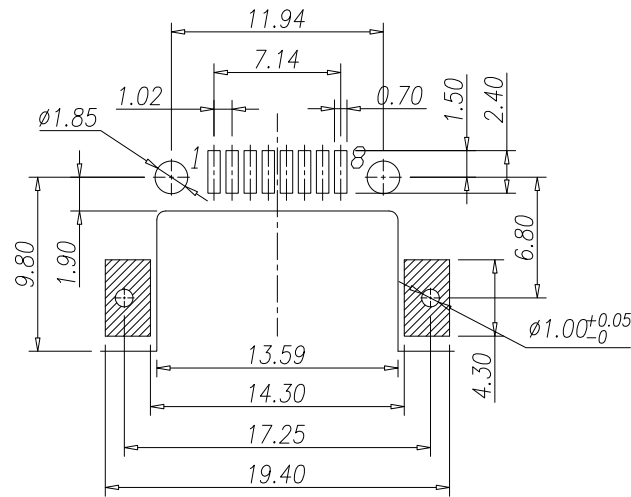
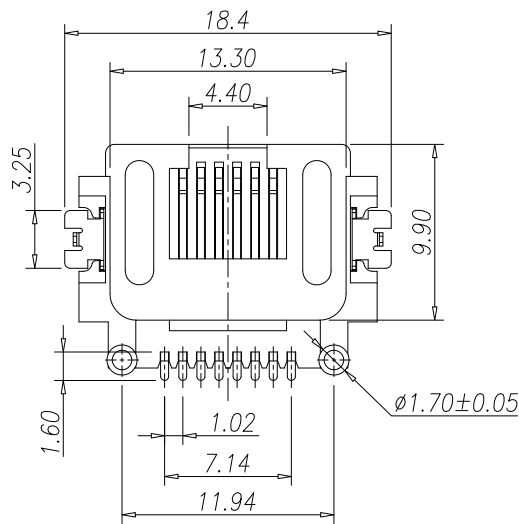


**SPECIFICATION:**  
 JACK CAVITY CONFORMS TO FCC RULES AND REGULATIONS: PART 68 SUBPART F.

- ELECTRICAL:**
1. Voltage: 125V AC RMS
  2. Current Rating: 1.5Amp.
  3. Contact Resistance: 40 Milliohms Max.
  4. Insulation Resistance: 500 Megohms Min. @500 Vdc.
  5. Dielectric Withstand Voltage: 500V DC Rms 50Hz, 1Min.

- MECHANICAL:**
1. Durability: 750 cycles Min.

- ENVIRONMENTAL:**
1. Storage: -40°C to +85°C.
  2. Operation: : -20°C to +75°C.
  3. IR Reflow Soldering Temperature:: 255°C to 265°C(5-10 Seconds).
  4. Lead-free process,compliant RoHS.



Recommend PCB Layout  
 (Jack Top View)  
 Tolerance: ±0.05mm

RJ 1 1 S 2 2 A 1 1 - X X

Port Matrix Configuration
11: 1X1 Port
12: 1X2 Ports
14: 1X4 Ports
21: 2X1 Ports

Shielding & EMI Finger
1: With EMI Finger
2: Without EMI Finger
3: Without Shielding
4: Stacked(Multi-Ports)

Packing
T: Tray
R: Tape & Reel

Termination Method to PCB
S: SMT
D: DIP

PCB Mount Orientation
1: Latch Up(Side Entry)
2: Latch Down(Side Entry)
3: Vertical(Top Entry)
4: Stacked(Multi-Ports)

Gold Plating
0: Fu"
1: 1u"
2: 3u"
3: 6u"
4: 15u"
5: 30u"
6: 50u"

NO.	PART NAME	QTY	MATERIAL	PLATING & COLOR
c	SHIELDING	1	BRASS T=0.20mm	Ni PLATING
b	TERMINAL	8	PHOSPHOR BRONZE	Au/Tin PLATING
a	HOUSING	1	LCP UL94V-0	BLACK

QUALITY SYMBOLS	
■: CRITICAL	☒: MAJOR
▽: ZERO DEFECT	▽: S.P.C

UNIT: mm	Size: A3
SCALE: NTS	

TOLERANCE UNLESS OTHERWISE SPECIFIED:
DECIMALS: X: ±0.5 X.X: ±0.3 X.XX: ±0.2
ANGLES: X: ±2° X.X: ±1°

**Yee YEESHINE TECHNOLOGY** DONGGUAN CHINA

APPROVED	CHECKED	DRAWN	PART NO.	RJ11S22A11-XX
05MAY2015 K.L.	05MAY2015 Jack Liu	04MAY2015 Jack Liu	DESCRIPTION	RJ45 Mid Mount, SMT, PH6.80mm
CUSTOMER COPY		SHEET	1 OF 1	DRAWING NO. YEE150023 REV R1