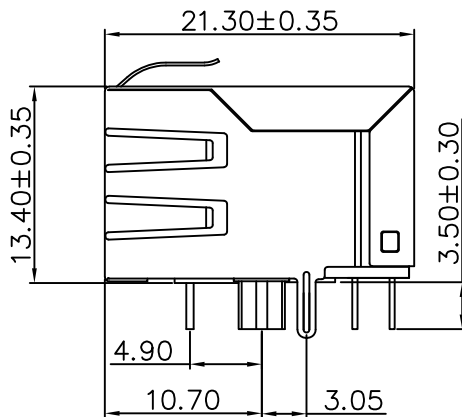
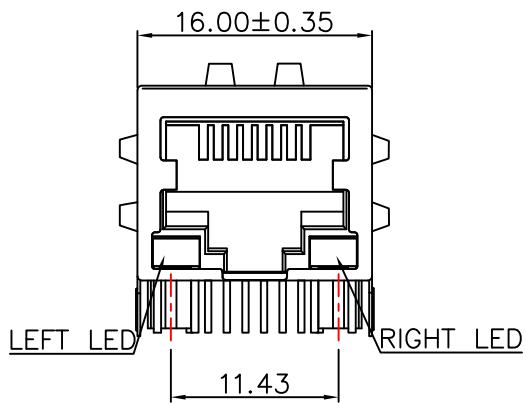


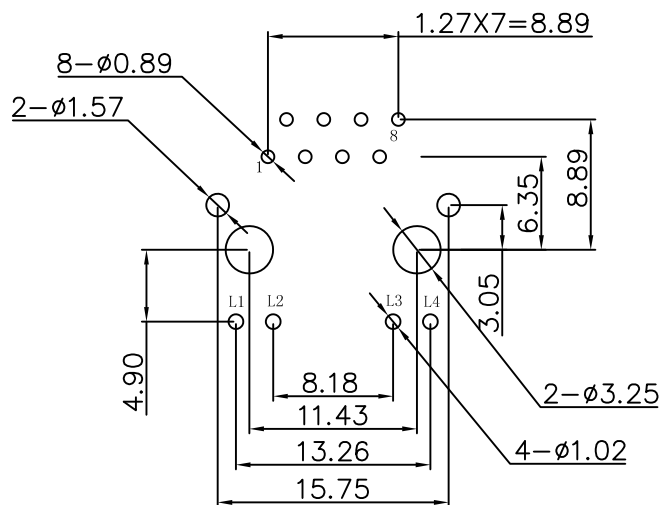
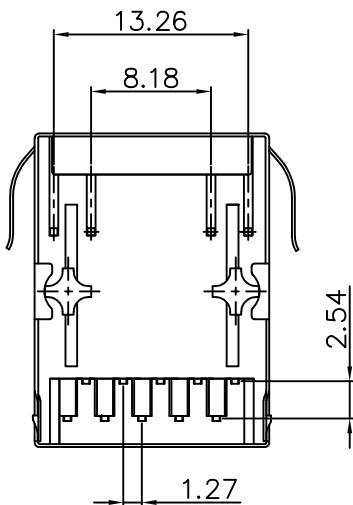
ROHS ENVIRONMENTAL PROTECTION

REV.	DESCRIPTION	ECN NO.	APPD.
R1	NEW RELEASE		



SPECIFICATION:
 JACK CAVITY CONFORMS TO FCC RULES AND REGULATIONS: PART 68 SUBPART F.

- 1, Material:
- a Housing: PBT UL94V-0 Black.
 - b Contact :Phosphor Bronze,Gold plated on contact area 6u".
 - c Input Terminal : Brass.
 - d Metal shielding:Copper alloy with Nickel plated.



Recommended PCB Layout
 (Tolerance: ±0.05)

RJ21212A- 001 - L X 3 T

Series	Packing
Schematics:	T: Tray
000-099: 100 Base-T	
100-199: 1000 Base-T	
LED Options	Gold Plating
L1: L: GRE ; R: YEL	2: 3u"
L2: L: YEL ; R: GRE	3: 6u"
	4: 15u"
	5: 30u"

QUALITY SYMBOLS	UNIT: mm	Size: A4
■: CRITICAL	☒: MAJOR	
▽: ZERO DEFECT	▽: S.P.C	
	SCALE: 2:1	

TOLERANCE UNLESS OTHERWISE SPECIFIED:	
DECIMALS: X: ±0.5	ANGLES: X: ±2°
X.X: ±0.3	X.X: ±1°
X.XX: ±0.2	

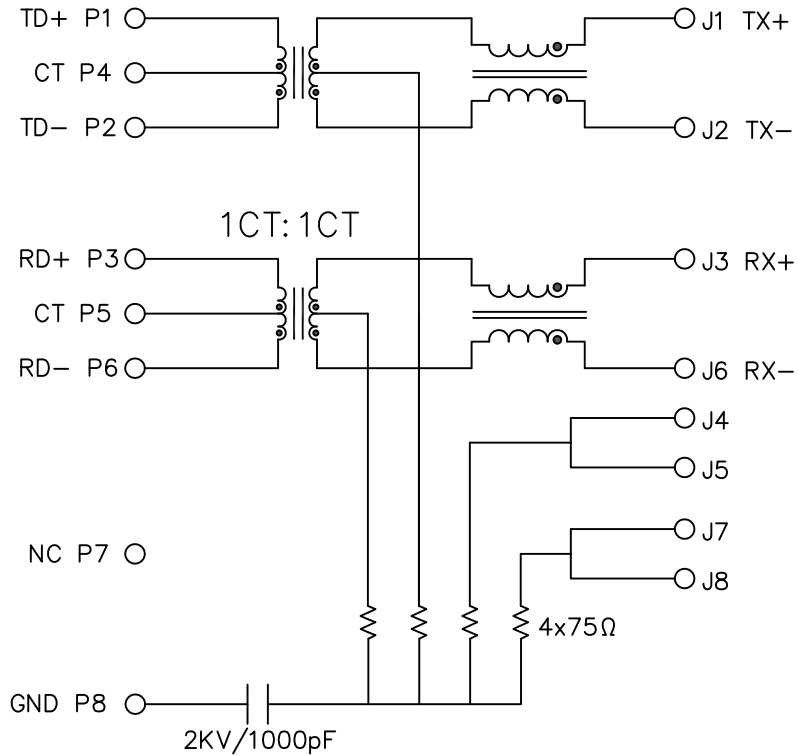
Yee YEESHINE TECHNOLOGY		DONGGUAN CHINA	
APPROVED	CHECKED	DRAWN	PART NO.
K.L.	Jack Liu	Jack Liu	RJ21212A-001-LX3T
DESCRIPTION		1x1 Port Magnetic Jack-100M, Latch Down, With EMI Spring, With LED(4.90mm)	
CUSTOMER COPY	SHEET	1 OF 2	DRAWING NO. YEE150037
			REV: R1

ROHS ENVIRONMENTAL PROTECTION

REV.	DESCRIPTION	ECN NO.	APPD.
R1	NEW RELEASE		

PCB SIDE TO PHY

CABLE SIDE



2, ELECTRICAL(@25°C):

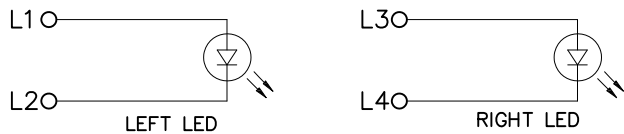
- a Inductance: 350uH Min With 8mA DC bias.
- b Insertion loss :
 - 1-100MHZ -1dB max.
- c Return loss :
 - 1-30MHZ -18dB min.
 - 30-60MHZ -16dB min.
 - 60-80MHZ -12dB min.
- d Common Mode Rejection:1-100MHZ -30dB min.
- e Cross Talk:1-100MHZ -30dB min.

3, MECHANICAL:

- a Durability: 750 cycles Min.

4, ENVIRONMENTAL:

- a Storage: -20°C to +75°C.
- b Operation: : -0°C to +70°C.
- c Wave soldering peak temperature:260°C.
- d Lead-free process,compliant RoHS.



Emitting Color	λp(nm)	Vf@If=20mA
Green	565	1.8-2.5V
YELLOW	585	1.8-2.5V

QUALITY SYMBOLS		UNIT: mm	Size:
■: CRITICAL	⊠: MAJOR	SCALE: 2:1	A4
▽: ZERO DEFECT	▽: S.P.C		

TOLERANCE UNLESS OTHERWISE SPECIFIED:	
DECIMALS:	ANGLES:
X: ±0.5	X: ±2°
X.X: ±0.3	X.X: ±1°
X.XX: ±0.2	

Yee YEESHINE TECHNOLOGY				DONGGUAN CHINA	
APPROVED	CHECKED	DRAWN	PART NO.	RJ21212A-001-LX3T	
K.L.	Jack Liu	Jack Liu	DESCRIPTION	1x1 Port Magnetic Jack-100M, Latch Down, With EMI Spring, With LED(4.90mm)	
CUSTOMER COPY		SHEET	2 OF 2	DRAWING NO.	YEE150037
				REV	R1