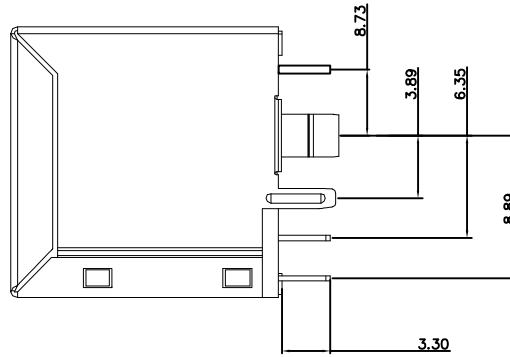
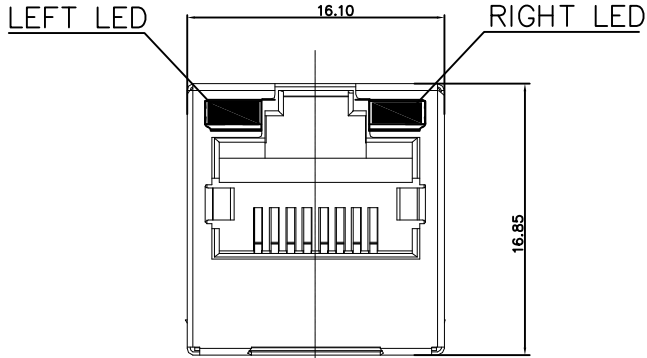


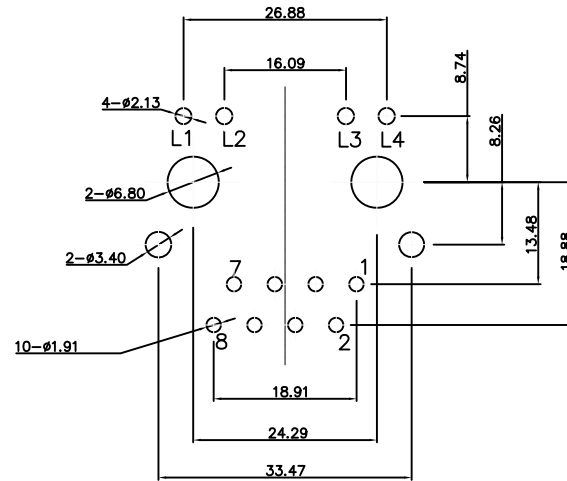
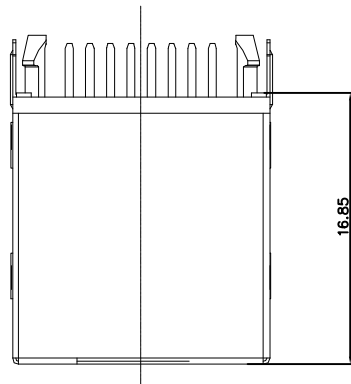
ROHS ENVIRONMENTAL PROTECTION

REV.	DESCRIPTION	ECN NO.	APPD.
R1	NEW RELEASE		



SPECIFICATION:  
 JACK CAVITY CONFORMS TO FCC RULES AND REGULATIONS: PART 68 SUBPART F.

- 1, Material:
- a Housing: PBT UL94V-0 Black.
  - b Contact :Phosphor Bronze,Gold plated on contact area 6u".
  - c Input Terminal : Brass.
  - d Metal shielding:Copper alloy with Nickel plated.



Recommended PCB Layout  
 (Tolerance: ±0.05)

RJ35211-001-L13T

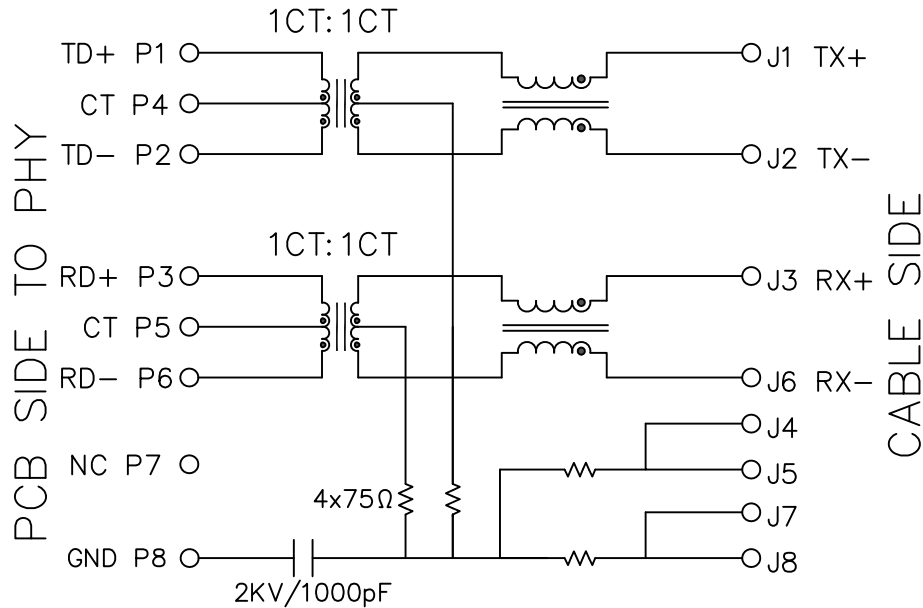
Series	Packing
Schematics:	T: Tray
000-099: 100 Base-T	
100-199: 1000 Base-T	
LED Options	Gold Plating
L1: L: GRE ; R: YEL	2: 3u"
L2: L: YEL ; R: GRE	3: 6u"
L3: L: AMB ; R: GRE	4: 15u"
L4: L: GRE ; R: GRE	5: 30u"

QUALITY SYMBOLS ■ : CRITICAL ▽ : ZERO DEFECT ☒ : MAJOR S.P.C.		TOLERANCE UNLESS OTHERWISE SPECIFIED: DECIMALS: X: ±0.5 X.X: ±0.3 X.XX: ±0.2 ANGLES: X: ±2° X.X: ±1°	
		UNIT: mm SCALE: NTS	Size: A3

<b>Yee YEESHINE TECHNOLOGY</b> DONGGUAN CHINA			
APPROVED	CHECKED	DRAWN	PART NO.
08May2015 K.L.	08May2015 Jack Liu	04May2015 Jack Liu	RJ35211-001-L13T
CUSTOMER COPY		SHEET	DESCRIPTION
		1 OF 2	Vertical RJ45, 100Base-T With LED
		DRAWING NO.	REV
		YEE150023	R1

ROHS ENVIRONMENTAL PROTECTION

REV.	DESCRIPTION	ECN NO.	APPD.
R1	NEW RELEASE		



PCB SIDE TO PHY

CABLE SIDE

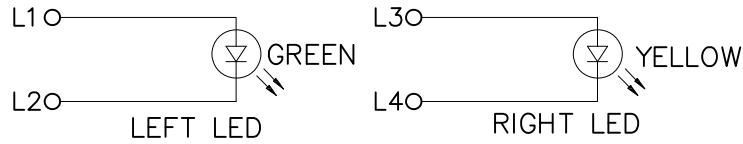
- 2, ELECTRICAL(@25°C):
  - a Inductance: 350uH Min With 8mA DC bias.
  - b Insertion loss :
 

1-100MHZ	-1dB max.
----------	-----------
  - c Return loss :
 

1-30MHZ	-18dB min.
30-60MHZ	-16dB min.
60-80MHZ	-12dB min.
  - d Common Mode Rejection: 1-100MHZ -30dB min.
  - e Cross Talk: 1-100MHZ -30dB min.

- 3, MECHANICAL:
  - a Durability: 750 cycles Min.

- 4, ENVIRONMENTAL:
  - a Storage: -20°C to +75°C.
  - b Operation: : -0°C to +70°C.
  - c Wave soldering peak temperature: 260°C.
  - d Lead-free process, compliant RoHS.



Emitting Color	$\lambda_p$ (nm)	Vf@If=20mA
Green	565	1.8-2.5V
Yellow	585	1.8-2.5V

QUALITY SYMBOLS		TOLERANCE UNLESS OTHERWISE SPECIFIED:
■: CRITICAL	⊗: MAJOR	DECIMALS: X: ±0.5 X.X: ±0.3 X.XX: ±0.2
▽: ZERO DEFECT	▽: S.P.C	ANGLES: X: ±2° X.X: ±1°
UNIT: mm	Size: A3	SCALE: NTS

		YEESHINE TECHNOLOGY		DONGGUAN CHINA	
08May2015	08May2015	04May2015	DESCRIPTION	Vertical RJ45, 100Base-T With LED	
K.L.	Jack Liu	Jack Liu	CUSTOMER COPY	SHEET 2 OF 2	DRAWING NO. YEE150023
			REV	R1	