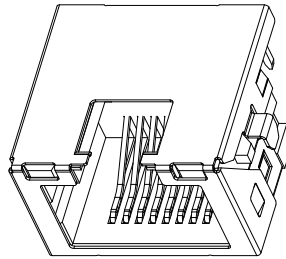
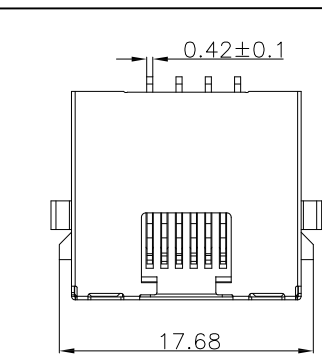


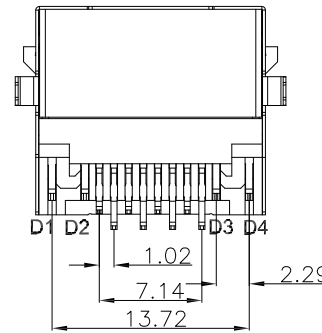
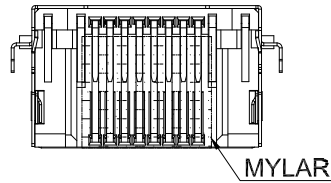
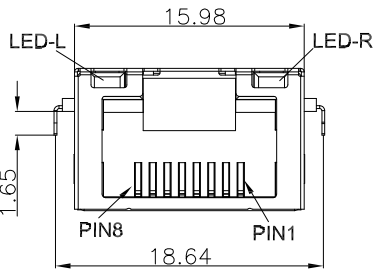
ROHS ENVIRONMENTAL PROTECTION

REV.	DESCRIPTION	ECN NO.	APPD.
R1	NEW RELEASE		



**SPECIFICATION:**  
 JACK CAVITY CONFORMS TO FCC RULES AND REGULATIONS: PART 68 SUBPART F.

- ELECTRICAL:**
1. Voltage: 125V AC RMS
  2. Current Rating: 1.5Amp.
  3. Contact Resistance: 40 Milliohms Max.
  4. Insulation Resistance: 500 Megohms Min. @500 Vdc.
  5. Dielectric Withstand Voltage: 500V AC Rms 50Hz, 1Min.

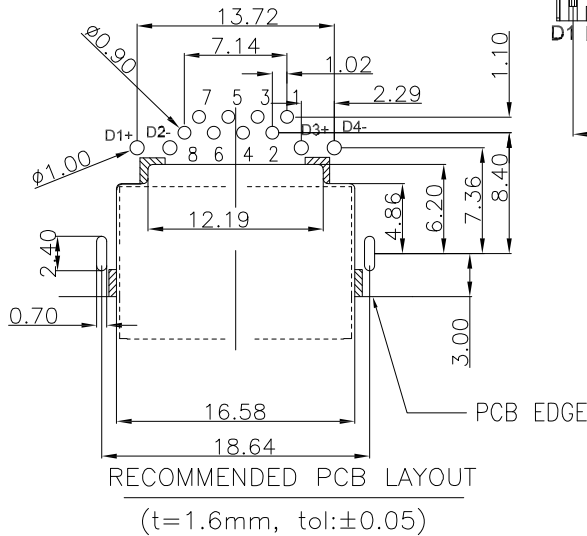


**MECHANICAL:**

1. Durability: 750 cycles Min.

**ENVIRONMENTAL:**

1. Storage: -40°C to +85°C.
2. Operation: -20°C to +75°C.
3. IR Reflow Soldering Temperature: 255°C to 265°C (5-10 Seconds).
4. Lead-free process, compliant RoHS.



RJ 1 1 D 1 2 E 1 1 L 3 - X X

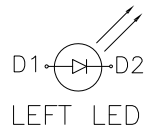
Port Matrix Configuration
11: 1X1 Port
12: 1X2 Ports
14: 1X4 Ports
21: 2X1 Ports

Termination Method to PCB
S: SMT
D: DIP

LED Options
L1: L: GRE ; R: YEL
L2: L: YEL ; R: GRE
L3: L: AMB ; R: GRE
L4: L: GRE ; R: GRE

Packing
T: Tray
R: Tape & Reel

Gold Plating
0: Fu"
1: 1u"
2: 3u"
3: 6u"
4: 15u"
5: 30u"
6: 50u"



NO.	PART NAME	QTY	MATERIAL	PLATING & COLOR
c	SHIELDING	1	SUS T=0.20mm	Ni PLATING
b	TERMINAL	8	COPPER ALLOY	Au/Tin PLATING
a	HOUSING	1	LCP UL94V-0	BLACK

QUALITY SYMBOLS	UNIT: mm	Size: A3
■: CRITICAL	SCALE: NTS	
☒: MAJOR		
▽: ZERO DEFECT		
▽: S.P.C		

TOLERANCE UNLESS OTHERWISE SPECIFIED:
DECIMALS: X: ±0.5 X.X: ±0.3 X.XX: ±0.2
ANGLES: X: ±2° X.X: ±1°

**Yee YEESHINE TECHNOLOGY** DONGGUAN CHINA

APPROVED 20AUG2020 K.L.	CHECKED 20AUG2020 Jack Liu	DRAWN 16AUG2020 Jack Liu	PART NO. DESCRIPTION	RJ11D12E11L3-XX RJ45 Mid Mount, THT, 8P8C, With LED, PH3.00mm
CUSTOMER COPY			SHEET 1 OF 1	DRAWING NO. YEE200013
			REV R1	