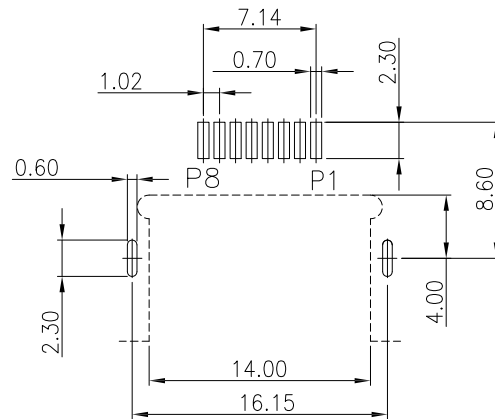
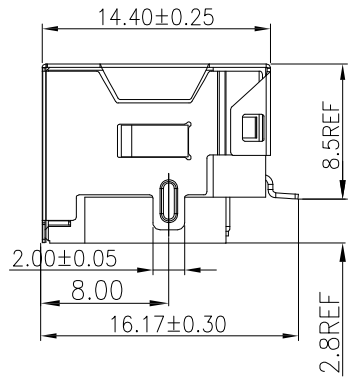
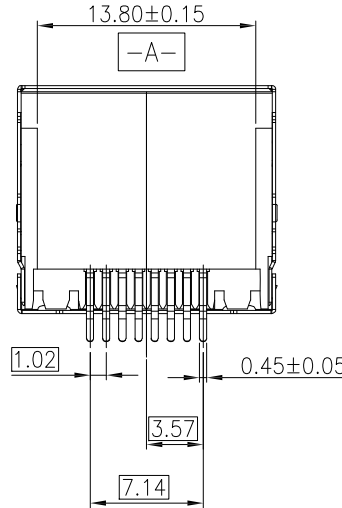
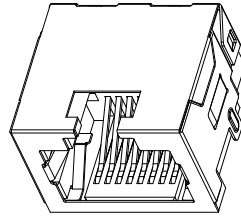
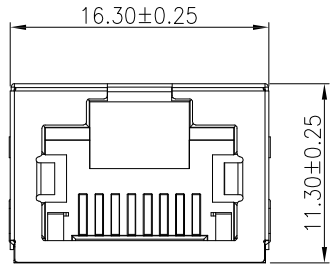


ROHS ENVIRONMENTAL PROTECTION

REV.	DESCRIPTION	ECN NO.	APPD.
R1	NEW RELEASE		



PCB LAYOUT
TOL:±0.05

SPECIFICATION:
JACK CAVITY CONFORMS TO FCC RULES AND REGULATIONS: PART 68 SUBPART F.

- ELECTRICAL:
1. Voltage: 125V AC RMS
 2. Current Rating: 1.5Amp.
 3. Contact Resistance: 40 Milliohms Max.
 4. Insulation Resistance: 500 Megohms Min. @500 Vdc.
 5. Dielectric Withstand Voltage: 500V DC Rms 50Hz, 1Min.

- MECHANICAL:
1. Durability: 750 cycles Min.

- ENVIRONMENTAL:
1. Storage: -40°C to +85°C.
 2. Operation: : -20°C to +75°C.
 3. IR Reflow Soldering Temperature:: 255°C to 265°C(5-10 Seconds).
 4. Lead-free process,compliant RoHS.

RJ 1 1 S 1 2 K 1 1 - X X

Port Matrix Configuration
11: 1X1 Port
12: 1X2 Ports
14: 1X4 Ports
21: 2X1 Ports

Termination Method to PCB
S: SMT
D: DIP

Shielding & EMI Finger
1: With EMI Finger
2: Without EMI Finger
3: Without Shielding
4: Stacked(Multi-Ports)

PCB Mount Orientation
1: Latch Up(Side Entry)
2: Latch Down(Side Entry)
3: Vertical(Top Entry)
4: Stacked(Multi-Ports)

Packing
T: Tray
R: Tape & Reel

Gold Plating
0: Fu"
1: 1u"
2: 3u"
3: 6u"
4: 15u"
5: 30u"
6: 50u"

NO.	PART NAME	QTY	MATERIAL	PLATING & COLOR
c	SHIELDING	1	BRASS T=0.20mm	Ni PLATING
b	TERMINAL	8	PHOSPHOR BRONZE	Au/Tin PLATING
a	HOUSING	1	LCP UL94V-0	BLACK

QUALITY SYMBOLS	MAJOR	UNIT: mm	Size:
■: CRITICAL	☒: MAJOR		A3
▽: ZERO DEFECT	▽: S.P.C	SCALE: NTS	

TOLERANCE UNLESS OTHERWISE SPECIFIED:
DECIMALS: X: ±0.5 X.X: ±0.3 X.XX: ±0.2
ANGLES: X: ±2° X.X: ±1°

Yee YEESHINE TECHNOLOGY DONGGUAN CHINA

APPROVED	CHECKED	DRAWN	PART NO.	RJ11S12K11-XX
04MAR2017 K.L.	04MAR2017 Jack Liu	01MAR2017 Jack Liu	DESCRIPTION	RJ45 Mid Mount, SMT, 8P8C, PH8.50mm Without LED
CUSTOMER COPY		SHEET	1 OF 1	DRAWING NO. YEE17023
			REV	R1