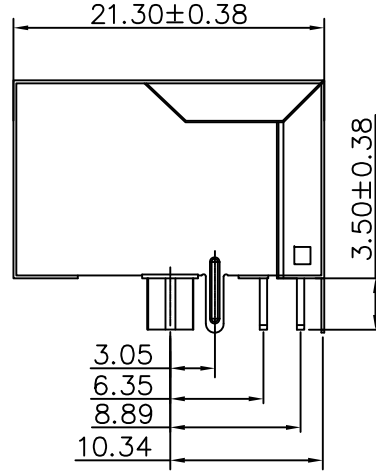
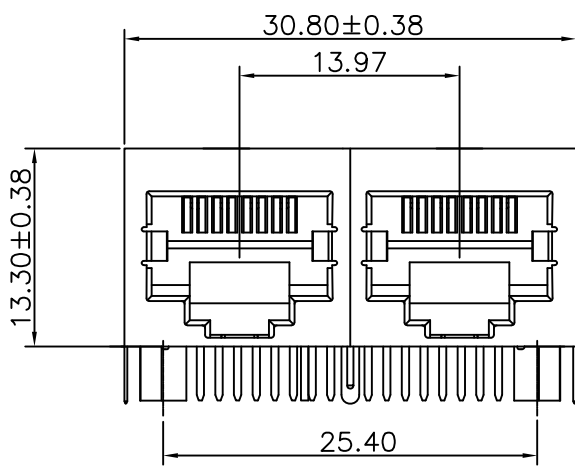


ROHS ENVIRONMENTAL PROTECTION

REV.	DESCRIPTION	ECN NO.	APPD.
R1	NEW RELEASE		



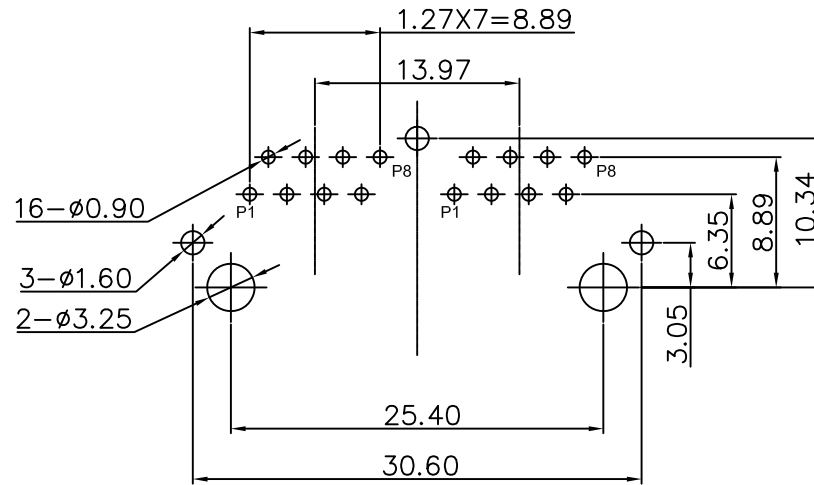
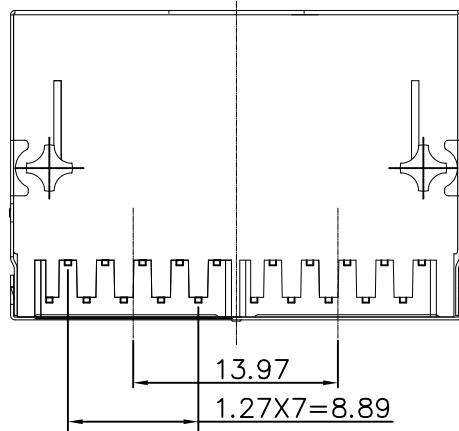
SPECIFICATION:
 JACK CAVITY CONFORMS TO FCC RULES AND REGULATIONS: PART 68 SUBPART F.

- 1, Material:
- a Housing: PBT UL94V-0 Black.
 - b Contact :Phosphor Bronze,Gold plated on contact area 6u".
 - c Input Terminal : Brass.
 - d Metal shielding:Copper alloy with Nickel plated.

RJ221AB- 001- 3 T

Series	Packing
Schematics:	T: Tray
000-099: 100 Base-T	
100-199: 1000 Base-T	

Gold Plating
2: 3u"
3: 6u"
4: 15u"
5: 30u"



Recommended PCB Layout
 (Tolerance: ±0.05)

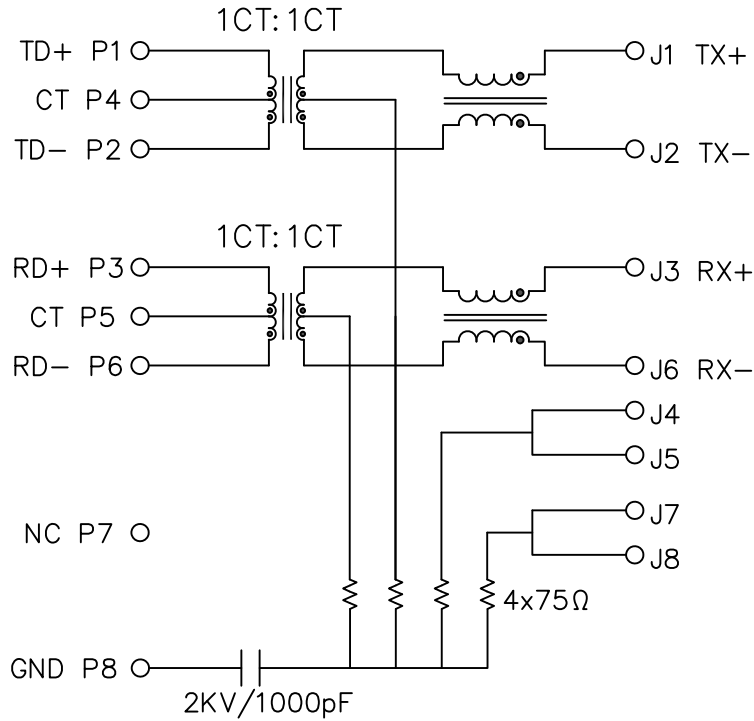
QUALITY SYMBOLS		
■: CRITICAL ▽: ZERO DEFECT	⊠: MAJOR ▽: S.P.C	UNIT: mm SCALE: 2:1 Size: A4

TOLERANCE UNLESS OTHERWISE SPECIFIED:	
DECIMALS:	ANGLES:
X: ±0.5	X: ±2°
X.X: ±0.3	X.X: ±1°
X.XX: ±0.2	

Yee YEESHINE TECHNOLOGY		DONGGUAN CHINA	
APPROVED	CHECKED	DRAWN	PART NO.
18JAN2016 K.L.	18JAN2016 Jack Liu	16JAN2016 Jack Liu	RJ221AB-001-3T
DESCRIPTION		1x2 Ports Magnetic Jack-100M,Latch Down, W/D EMI Spring, W/D LED	
CUSTOMER COPY	SHEET	1 OF 2	DRAWING NO. YEE160014
			REV R1

REV.	DESCRIPTION	ECN NO.	APPD.
R1	NEW RELEASE		

PCB SIDE TO PHY



CABLE SIDE

2, ELECTRICAL(@25°C):

- a Inductance: 350uH Min With 8mA DC bias.
- b Insertion loss :
 - 1-100MHZ -1dB max.
- c Return loss :
 - 1-30MHZ -18dB min.
 - 30-60MHZ -16dB min.
 - 60-80MHZ -12dB min.
- d Common Mode Rejection:1-100MHZ -30dB min.
- e Cross Talk:1-100MHZ -30dB min.

3, MECHANICAL:

- a Durability: 750 cycles Min.

4, ENVIRONMENTAL:

- a Storage: -20°C to +75°C.
- b Operation: : -0°C to +70°C.
- c Wave soldering peak temperature:260°C.
- d Lead-free process,compliant RoHS.

QUALITY SYMBOLS	
■ : CRITICAL ▽ : ZERO DEFECT	☒ : MAJOR ▽ : S.P.C
UNIT: mm	Size: A4
SCALE: 2:1	

TOLERANCE UNLESS OTHERWISE SPECIFIED:	
DECIMALS:	ANGLES:
X: ±0.5	X: ±2°
X.X: ±0.3	X.X: ±1°
X.XX: ±0.2	

Yee YEESHINE TECHNOLOGY DONGGUAN CHINA

APPROVED	CHECKED	DRAWN	PART NO.	RJ221AB-001-3T
18JAN2016 K.L.	18JAN2016 Jack Liu	16JAN2016 Jack Liu	DESCRIPTION	1x2 Ports Magnetic Jack-100M,Latch Down, W/O EMI Spring, W/O LED
CUSTOMER COPY		SHEET	2 OF 2	DRAWING NO. YEE160014 REV R1