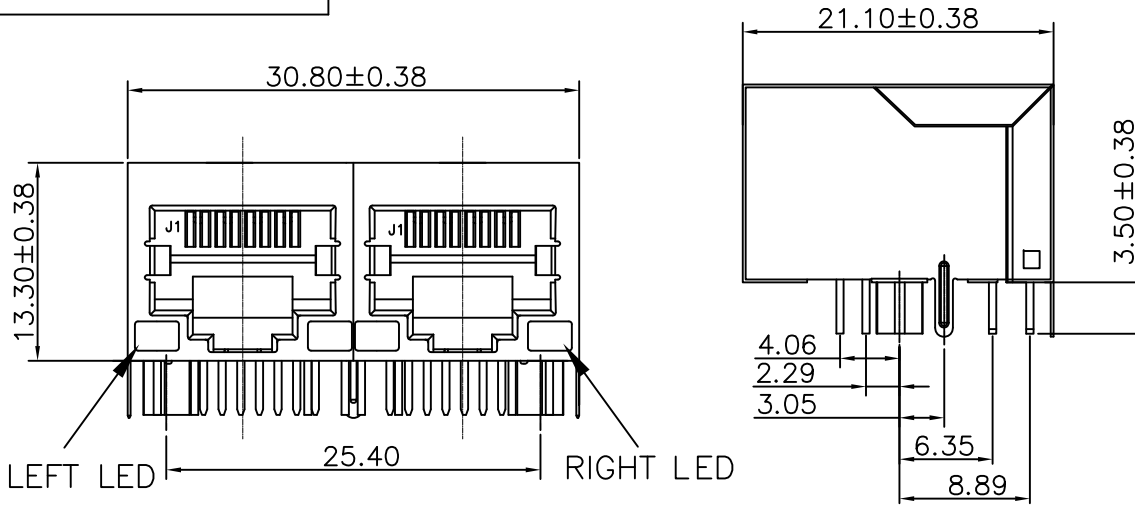


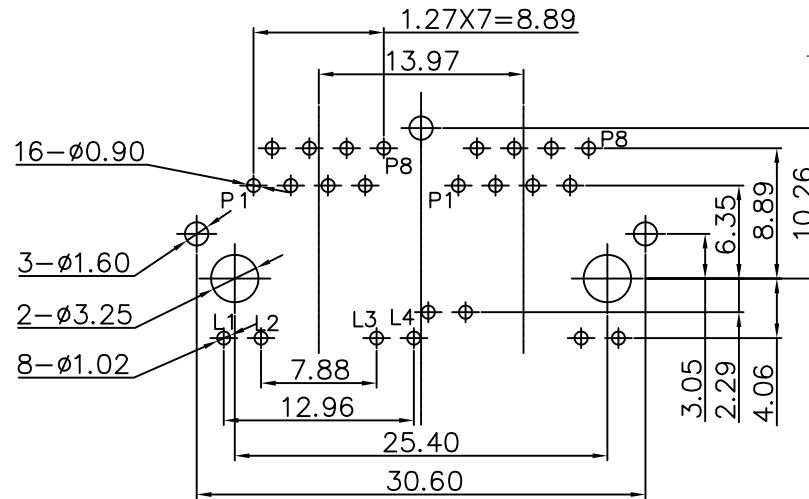
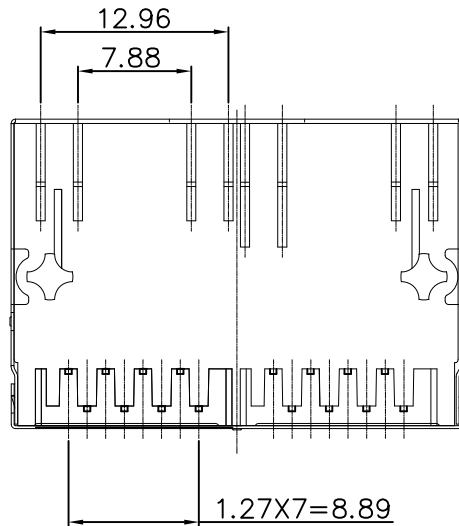
ROHS ENVIRONMENTAL PROTECTION

REV.	DESCRIPTION	ECN NO.	APPD.
R1	NEW RELEASE		



SPECIFICATION:
 JACK CAVITY CONFORMS TO FCC RULES AND REGULATIONS: PART 68 SUBPART F.

- 1, Material:
- a Housing: PBT UL94V-0 Black.
 - b Contact :Phosphor Bronze,Gold plated on contact area 6u".
 - c Input Terminal : Brass.
 - d Metal shielding:Copper alloy with Nickel plated.



RJ221AB- 001- L X 3 T

Series	Packing
Schematics:	T: Tray
000-099: 100 Base-T	
100-199: 1000 Base-T	
LED Options	Gold Plating
L1: L: GRE ; R: YEL	2: 3u"
L2: L: YEL ; R: GRE	3: 6u"
	4: 15u"
	5: 30u"

Recommended PCB Layout
 (Tolerance: ±0.05)

QUALITY SYMBOLS		
■: CRITICAL ▽: ZERO DEFECT	⊠: MAJOR ▽: S.P.C	UNIT: mm SCALE: 2:1 Size: A4

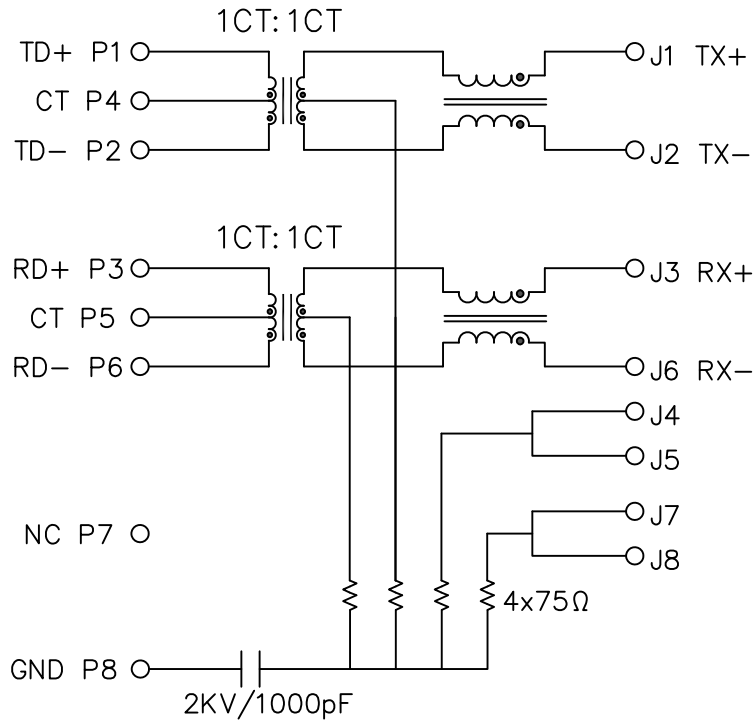
TOLERANCE UNLESS OTHERWISE SPECIFIED:
 DECIMALS: X: ±0.5 X.X: ±0.3 X.XX: ±0.2
 ANGLES: X: ±2° X.X: ±1°

Yee YEESHINE TECHNOLOGY		DONGGUAN CHINA	
APPROVED	CHECKED	DRAWN	PART NO.
18JAN2016 K.L.	18JAN2016 Jack Liu	16JAN2016 Jack Liu	RJ221AB-001-LX3T
DESCRIPTION		1x2 Ports Magnetic Jack-100M,Latch Down, W/D EMI Spring, With LED	
CUSTOMER COPY	SHEET	1 OF 2	DRAWING NO. YEE160013
			REV R1

REV.	DESCRIPTION	ECN NO.	APPD.
R1	NEW RELEASE		

PCB SIDE TO PHY

CABLE SIDE



2, ELECTRICAL(@25°C):

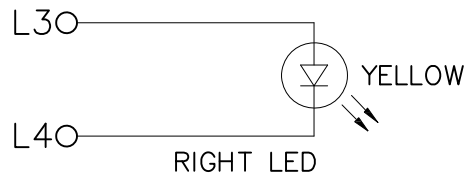
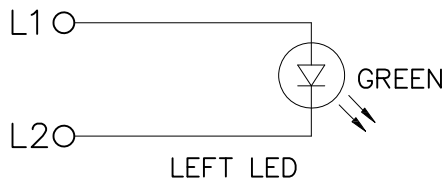
- a Inductance: 350uH Min With 8mA DC bias.
- b Insertion loss :
 - 1-100MHZ -1dB max.
- c Return loss :
 - 1-30MHZ -18dB min.
 - 30-60MHZ -16dB min.
 - 60-80MHZ -12dB min.
- d Common Mode Rejection:1-100MHZ -30dB min.
- e Cross Talk:1-100MHZ -30dB min.

3, MECHANICAL:

- a Durability: 750 cycles Min.

4, ENVIRONMENTAL:

- a Storage: -20°C to +75°C.
- b Operation: : -0°C to +70°C.
- c Wave soldering peak temperature:260°C.
- d Lead-free process,compliant RoHS.



Emitting Color	λp(nm)	Vf@I _f =20mA
Green	565	1.8-2.5V
Yellow	585	1.8-2.5V

QUALITY SYMBOLS		UNIT: mm	Size:
■: CRITICAL	⊠: MAJOR	SCALE: 2:1	A4
▽: ZERO DEFECT	▽: S.P.C		

TOLERANCE UNLESS OTHERWISE SPECIFIED:	
DECIMALS:	ANGLES:
X: ±0.5	X: ±2°
X.X: ±0.3	X.X: ±1°
X.XX: ±0.2	

Yee YEESHINE TECHNOLOGY				DONGGUAN CHINA	
APPROVED	CHECKED	DRAWN	PART NO.	RJ221AB-001-LX3T	
18JAN2016 K.L.	18JAN2016 Jack Liu	16JAN2016 Jack Liu	DESCRIPTION	1x2 Ports Magnetic Jack-100M,Latch Down, w/D EMI Spring, With LED	
CUSTOMER COPY		SHEET	2 OF 2	DRAWING NO.	YEE160013
			REV	R1	