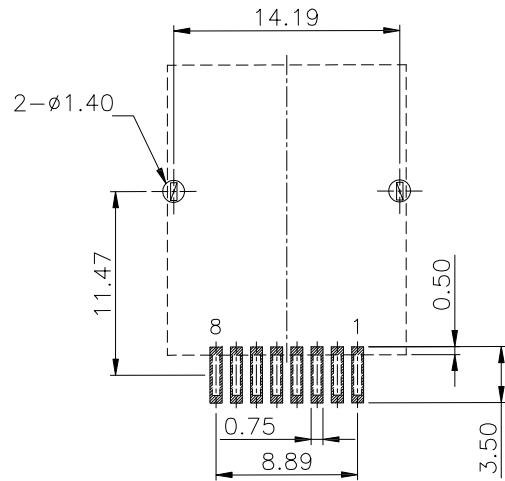
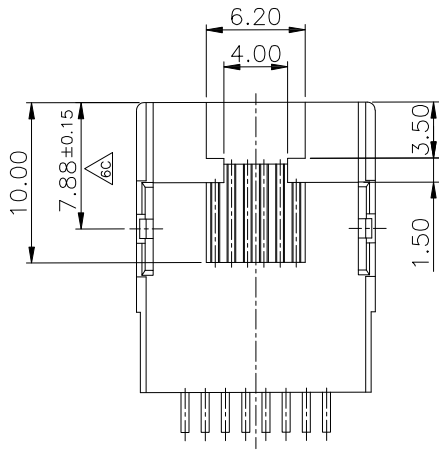
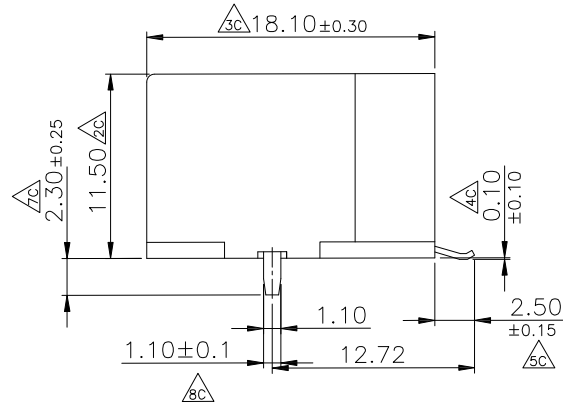
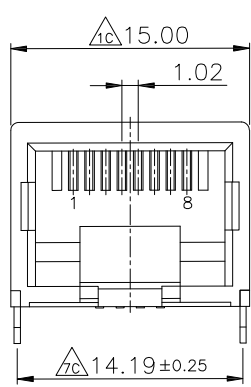


ROHS ENVIRONMENTAL PROTECTION

REV.	DESCRIPTION	ECN NO.	APPD.
R1	NEW RELEASE		



Recommend PCB Layout
Top View
Tolerance: ±0.05mm

SPECIFICATION:
JACK CAVITY CONFORMS TO FCC RULES AND REGULATIONS: PART 68 SUBPART F.

- ELECTRICAL:**
1. Voltage: 125V AC RMS
 2. Current Rating: 1.5Amp.
 3. Contact Resistance: 40 Milliohms Max.
 4. Insulation Resistance: 500 Megohms Min. @500 Vdc.
 5. Dielectric Withstand Voltage: 500V DC Rms 50Hz, 1Min.

- MECHANICAL:**
1. Durability: 750 cycles Min.

- ENVIRONMENTAL:**
1. Storage: -40°C to +85°C.
 2. Operation: : -20°C to +75°C.
 3. IR Reflow Soldering Temperature: : 255°C to 265°C(5-10 Seconds).
 4. Lead-free process,compliant RoHS.

RJ 1 1 S 2 3 6 1 X C - X X

Port Matrix Configuration 11: 1X1 Port 12: 1X2 Ports 14: 1X4 Ports 21: 2X1 Ports	Housing Color 1: Black 2: White 3: Yellow 4: Blue	Packing T: Tray R: Tape & Reel
Termination Method to PCB S: SMT D: DIP	Housing Material 3: PA9T 4: PA46	Gold Plating 0: Fu" 1: 1u" 2: 3u" 3: 6u" 4: 15u" 5: 30u" 6: 50u"

c	SOLDER PADER	2	BRASS	Ni PLATING
b	TERMINAL	8	PHOSPHOR BRONZE	Au/Tin PLATING
a	HOUSING	1	SEE TABLE	SEE TABLE
NO.	PART NAME	QTY	MATERIAL	PLATING & COLOR

QUALITY SYMBOLS ■: CRITICAL ▽: ZERO DEFECT ☒: MAJOR S.P.C	UNIT: mm SCALE: NTS Size: A3
---	------------------------------------

TOLERANCE UNLESS OTHERWISE SPECIFIED: DECIMALS: X: ±0.5 X.X: ±0.3 X.XX: ±0.2	ANGLES: X: ±2° X.X: ±1°
---	-------------------------------

Yee YEESHINE TECHNOLOGY		DONGGUAN CHINA	
APPROVED	CHECKED	DRAWN	PART NO.
20JAN2018 K.L.	20JAN2018 Jack Liu	18JAN2018 Jack Liu	RJ11S2361XC-XX
DESCRIPTION		RJ45 TOP Mount, SMT, 8PBC, Unshielded, H11.50mm	
CUSTOMER COPY	SHEET	1 OF 1	DRAWING NO. YEE180129 REV R1