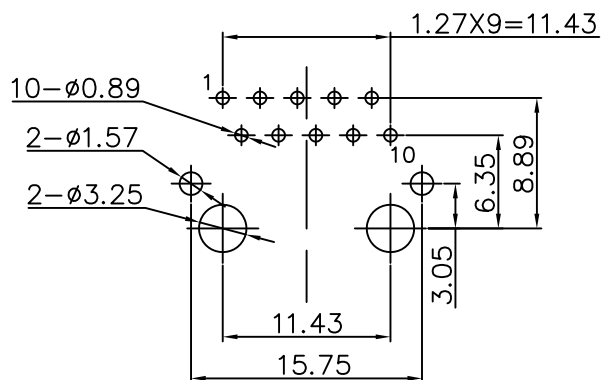
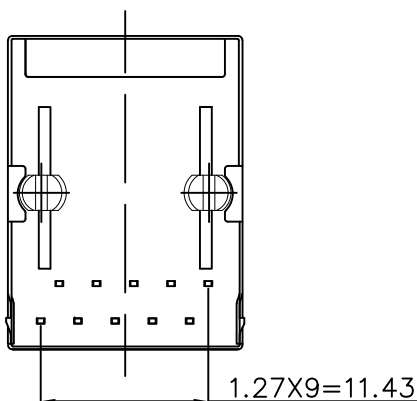
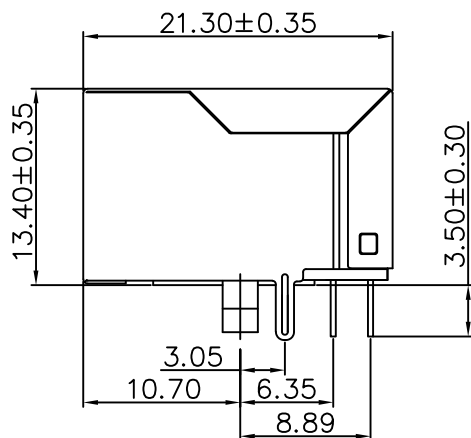
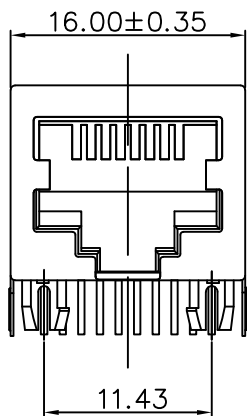


ROHS ENVIRONMENTAL PROTECTION

REV.	DESCRIPTION	ECN NO.	APPD.
R1	NEW RELEASE		



Suggested PCB Layout(Top View)
(Tolerance: ±0.05)

SPECIFICATION:
JACK CAVITY CONFORMS TO FCC RULES AND REGULATIONS: PART 68 SUBPART F.

- 1, Material:
- a Housing: PBT UL94V-0 Black.
 - b Contact :Phosphor Bronze,Gold plated on contact area 6u".
 - c Input Terminal : Brass.
 - d Metal shielding:Copper alloy with Nickel plated.

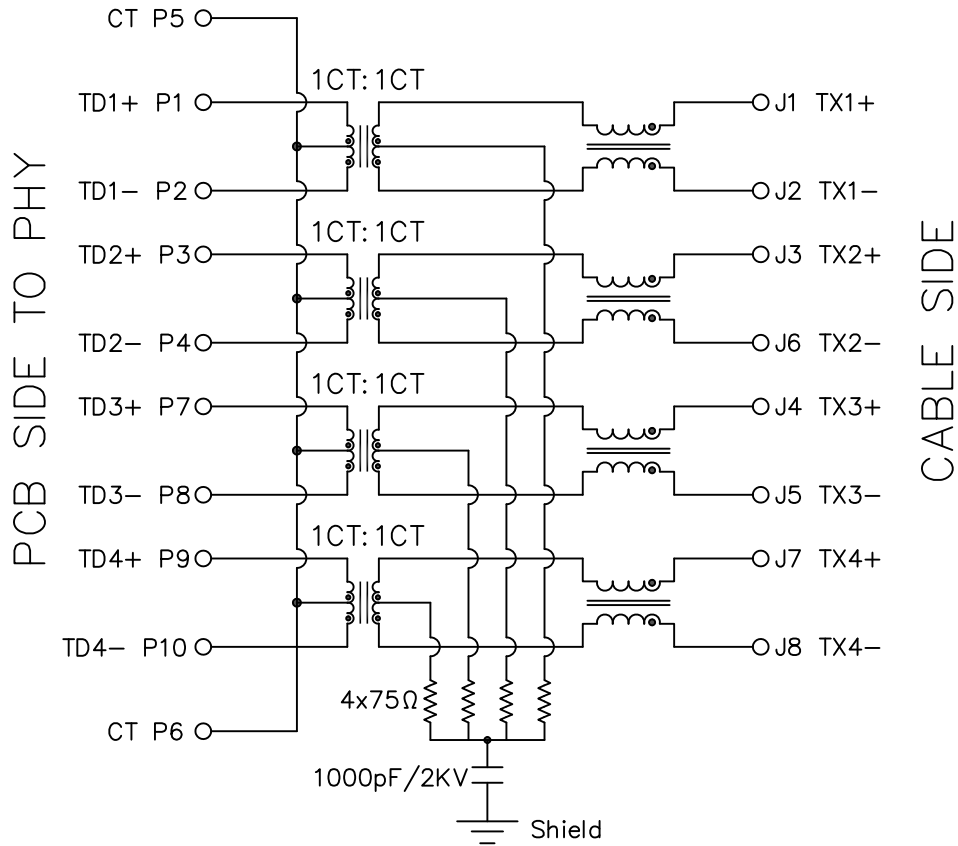
RJ22220- 102 - 3 T

Series	Packing
Schematics:	T: Tray
000-099: 100 Base-T	
100-199: 1000 Base-T	
Gold Plating	
2: 3u"	
3: 6u"	
4: 15u"	
5: 30u"	

QUALITY SYMBOLS	UNIT: mm	Size: A4
■: CRITICAL	☒: MAJOR	
▽: ZERO DEFECT	▽: S.P.C	
TOLERANCE UNLESS OTHERWISE SPECIFIED:		
DECIMALS: X: ±0.5		ANGLES: X: ±2°
X.X: ±0.3		X.X: ±1°
X.XX: ±0.2		
SCALE: 2:1		

Yee YEESHINE TECHNOLOGY		DONGGUAN CHINA	
APPROVED	CHECKED	DRAWN	PART NO.
10May2015 K.L.	10May2015 Jack Liu	04May2015 Jack Liu	RJ22220-102-3T
DESCRIPTION		1x1 Port Magnetic Jack-1000M, Latch Down, W/D EMI Spring, W/D LED	
CUSTOMER COPY		SHEET 1 OF 2	DRAWING NO. YEE150028 REV R1

REV.	DESCRIPTION	ECN NO.	APPD.
R1	NEW RELEASE		



2, ELECTRICAL(@25°C):

- a Inductance: 350uH Min With 8mA DC bias.
- b Insertion loss :
1-100MHZ -1dB max.
- c Return loss :
1-30MHZ -18dB min.
30-60MHZ -16dB min.
60-80MHZ -12dB min.
- d Common Mode Rejection:1-100MHZ -30dB min.
- e Cross Talk:1-100MHZ -30dB min.

3, MECHANICAL:

- a Durability: 750 cycles Min.

4, ENVIRONMENTAL:

- a Storage: -20°C to +75°C.
- b Operation: : -0°C to +70°C.
- c Wave soldering peak temperature:260°C.
- d Lead-free process,compliant RoHS.

QUALITY SYMBOLS	☒ : MAJOR	⊙	▱
■ : CRITICAL	▽ : S.P.C	UNIT: mm	Size: A4
▽ : ZERO DEFECT		SCALE: 2:1	

TOLERANCE UNLESS OTHERWISE SPECIFIED:	
DECIMALS: X: ±0.5	ANGLES: X: ±2°
X.X: ±0.3	X.X: ±1°
X.XX: ±0.2	

Yee YEESHINE TECHNOLOGY				DONGGUAN CHINA	
APPROVED	CHECKED	DRAWN	PART NO.	RJ22220-102-3T	
10May2015	10May2015	04May2015	DESCRIPTION	1x1 Port Magnetic Jack-1000M, Latch Down, W/D EMI Spring, W/D LED	
K.L.	Jack Liu	Jack Liu	CUSTOMER COPY	SHEET	2 OF 2
			DRAWING NO.	YEE150028	REV R1