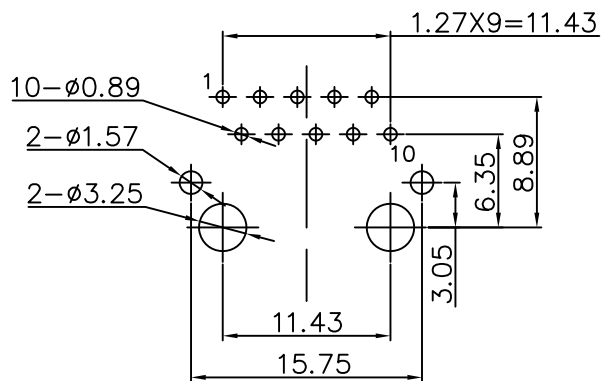
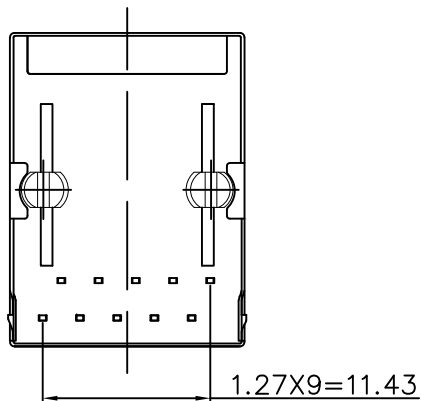
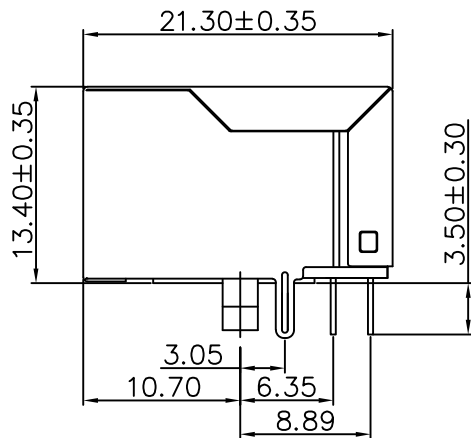
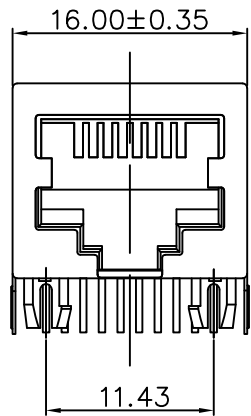


ROHS ENVIRONMENTAL PROTECTION

REV.	DESCRIPTION	ECN NO.	APPD.
R1	NEW RELEASE		



Suggested PCB Layout(Top View)
(Tolerance: ±0.05)

SPECIFICATION:
JACK CAVITY CONFORMS TO FCC RULES AND REGULATIONS: PART 68 SUBPART F.

- 1, Material:
- a Housing: PBT UL94V-0 Black.
 - b Contact :Phosphor Bronze,Gold plated on contact area 6u".
 - c Input Terminal : Brass.
 - d Metal shielding:Copper alloy with Nickel plated.

RJ22220- 115 - 3 T

Series	Packing
Schematics:	T: Tray
000-099: 100 Base-T	
100-199: 1000 Base-T	
Gold Plating	
2: 3u"	
3: 6u"	
4: 15u"	
5: 30u"	

QUALITY SYMBOLS ■: CRITICAL ▽: ZERO DEFECT ☒: MAJOR ▽: S.P.C	 UNIT: mm SCALE: 2:1	TOLERANCE UNLESS OTHERWISE SPECIFIED: DECIMALS: X: ±0.5 X.X: ±0.3 X.XX: ±0.2 ANGLES: X: ±2° X.X: ±1°
--	----------------------------	---

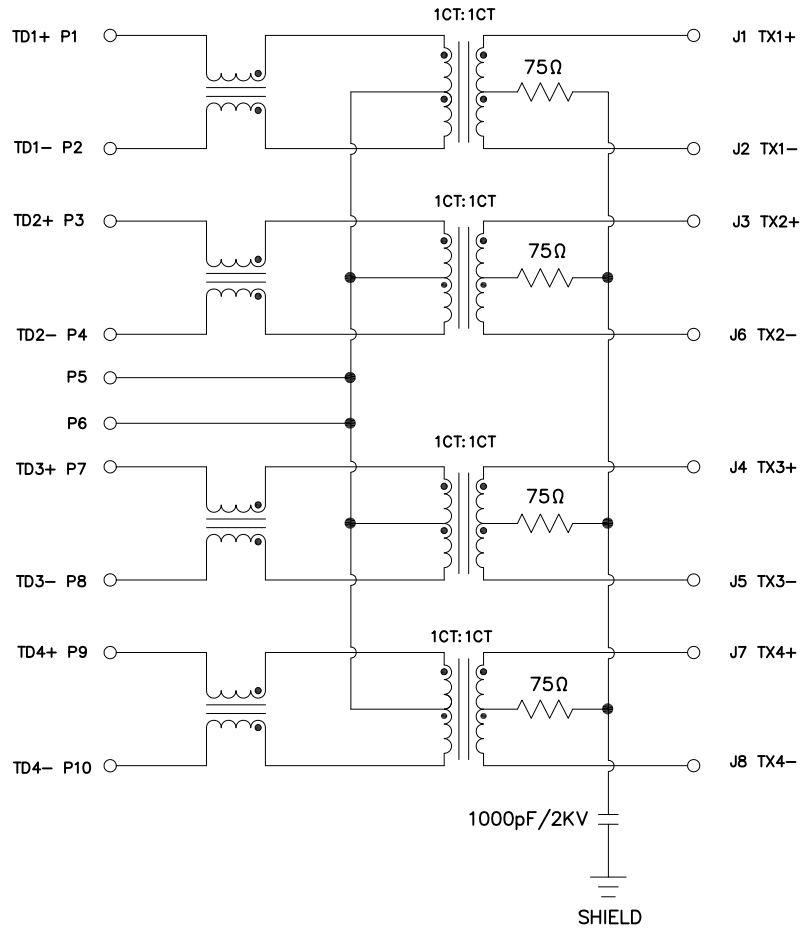
Yee YEESHINE TECHNOLOGY DONGGUAN CHINA

APPROVED	CHECKED	DRAWN	PART NO.	RJ22220-115-3T
10May2015 K.L.	10May2015 Jack Liu	04May2015 Jack Liu	DESCRIPTION	1x1 Port Magnetic Jack-1000M, Latch Down, W/D EMI Spring, W/D LED
CUSTOMER COPY		SHEET	1 OF 2	DRAWING NO. YEE150028 REV R1

REV.	DESCRIPTION	ECN NO.	APPD.
R1	NEW RELEASE		

PCB SIDE TO PHY

CABLE SIDE



2, ELECTRICAL(@25°C):

- a Inductance: 350uH Min With 8mA DC bias.
- b Insertion loss :
 - 1-100MHZ -1dB max.
- c Return loss :
 - 1-30MHZ -18dB min.
 - 30-60MHZ -16dB min.
 - 60-80MHZ -12dB min.
- d Common Mode Rejection:1-100MHZ -30dB min.
- e Cross Talk:1-100MHZ -30dB min.

3, MECHANICAL:

- a Durability: 750 cycles Min.

4, ENVIRONMENTAL:

- a Storage: -20°C to +75°C.
- b Operation: : -0°C to +70°C.
- c Wave soldering peak temperature:260°C.
- d Lead-free process,compliant RoHS.

QUALITY SYMBOLS ■ : CRITICAL ▽ : ZERO DEFECT ☒ : MAJOR ▽ : S.P.C	TOLERANCE UNLESS OTHERWISE SPECIFIED: DECIMALS: X: ±0.5 X.X: ±0.3 X.XX: ±0.2 ANGLES: X: ±2° X.X: ±1°
UNIT: mm SCALE: 2:1	Size: A4

Yee YEESHINE TECHNOLOGY DONGGUAN CHINA

APPROVED	CHECKED	DRAWN	PART NO.	RJ22220-115-3T
10May2015 K.L.	10May2015 Jack Liu	04May2015 Jack Liu	DESCRIPTION	1x1 Port Magnetic Jack-1000M, Latch Down, W/D EMI Spring, W/D LED
CUSTOMER COPY		SHEET	2 OF 2	DRAWING NO. YEE150028 REV R1