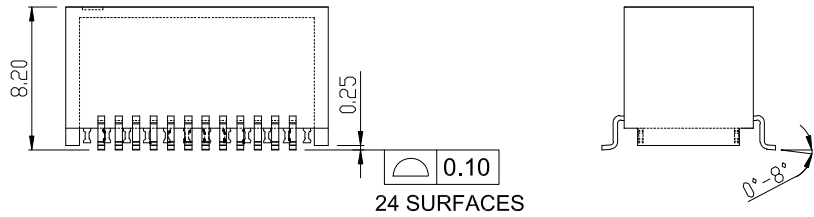
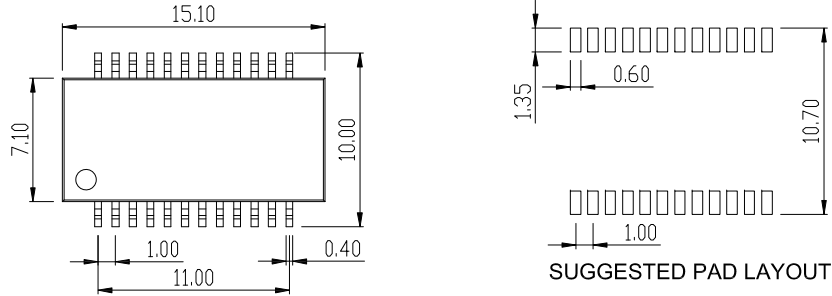


ROHS ENVIRONMENTAL PROTECTION

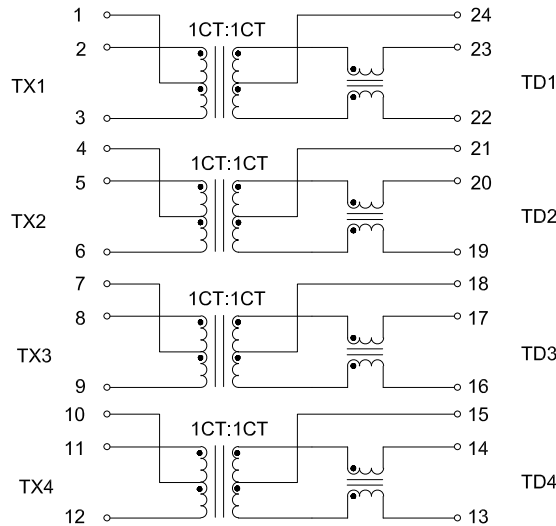
REV.	DESCRIPTION	ECN NO.	APPD.
R1	NEW RELEASE		

### MECHANICAL



Dimensions: mm unless otherwise specified, tolerances as following.  
 .X = ±0.25  
 .XX = ±0.13

### SCHEMATIC



### 100/1000 BASE-T SINGLE PORT SURFACE MOUNT LAN TRANSFORMER

- Meet IEEE 802.3 & ANSI X3.263 Standards.
- This is a RoHS compliant component, All engineering changes must have prior approval by the design center
- Plastic: Thermoset plastic material with flammability rating UL 94V-0 or better
- Solderability: Conforms to ANSI/J-STD-002,245°C reflow peak temperature per IPC/EIA J-STD-003A
- J-STD-020 Moisture sensitive level 1.
- Operation temperature: 0°C~+70°C
- Storage condition: -20°C ~ 125°C, 20~80%RH.

### ELECTRICAL SPECIFICATIONS @ +25°C UNLESS OTHER SPECIFIED

Inductance (OCL)	350 uH Min @ 100KHz/0.1V with 8mA DC Bias		
Hi-Pot	6000 Vrms		
Turns Ratio	1CT:1CT ± 5%		
DCR (Diff. pair)	PHY side = 0.90 OHM MAX, Cable side = 1.20 OHM MAX		
Cw/w	PHY side : Cable side = 28pF Typ @ 100KHz/0.1V		
OCL Balance	1uH MAX @ 100KHz/0.1V		
Insertion Loss	1~100 MHz: -1.1 dB Max		
Return Loss	1~30 MHz	30~60 MHz	60~80 MHz
	-18 dB Min	-18+20*log(f/30) dB	-12 dB Min
Cross Talk	1~40 MHz	40~100 MHz	
	-35 dB Min Ref.	-33+20*log(f/50) dB	
CMRR	1~100 MHz		
	-30 dB Min Ref.		

LT 2 4 S 2 0 0 2 D - X

Pin Number	
24: 24PIN	
Termination Method to PCB	
S: SMT	

Packing
T: Tube
R: Tape & Reel

QUALITY SYMBOLS	MAJOR	UNIT: mm	Size: A3
CRITICAL	MAJOR	SCALE: NTS	
ZERO DEFECT	S.P.C		

TOLERANCE UNLESS OTHERWISE SPECIFIED:
DECIMALS: X: ±0.5 X.X: ±0.3 X.XX: ±0.2
ANGLES: X: ±2° X.X: ±1°

Yee YEESHINE TECHNOLOGY DONGGUAN CHINA				
APPROVED	CHECKED	DRAWN	PART NO.	LT24S2002D-X
23MAR2016	23MAR2016	22MAR2016	DESCRIPTION	100/1000 Base-T Single Port SMT Isolation Transformer
K.L.	Jack Liu	Jack Liu	CUSTOMER COPY	SHEET 1 OF 1 DRAWING NO. YEE160127 REV R1