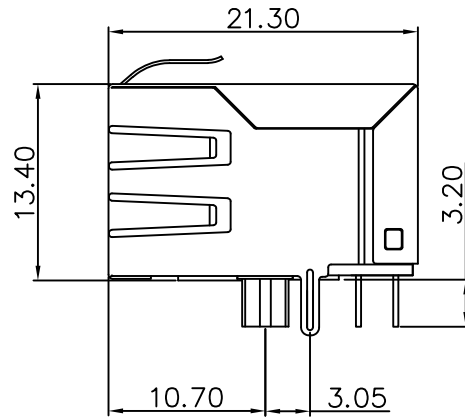
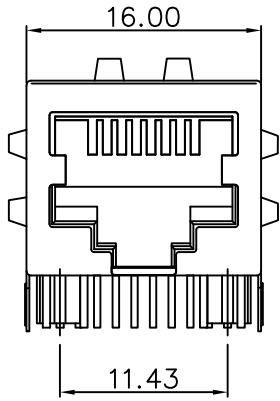


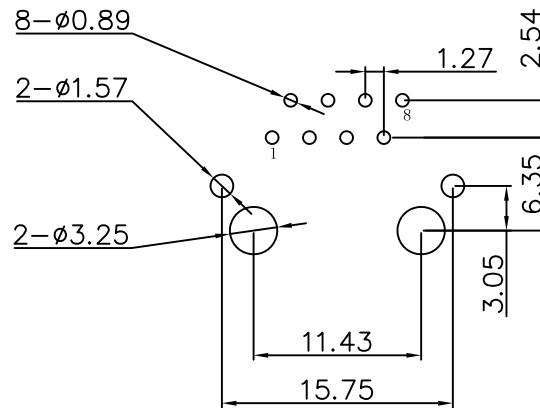
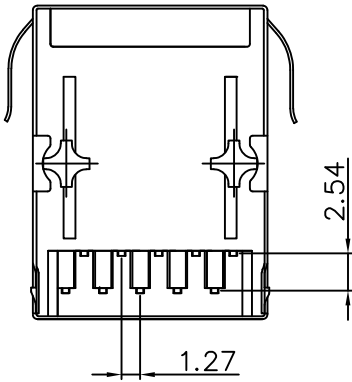
ROHS ENVIRONMENTAL PROTECTION

REV.	DESCRIPTION	ECN NO.	APPD.
R1	NEW RELEASE		



SPECIFICATION:
 JACK CAVITY CONFORMS TO FCC RULES AND REGULATIONS: PART 68 SUBPART F.

- 1, Material:
- a Housing: PBT UL94V-0 Black.
 - b Contact :Phosphor Bronze,Gold plated on contact area 6u".
 - c Input Terminal : Brass.
 - d Metal shielding:Copper alloy with Nickel plated.



RJ21210-001-3T

Series	Packing
Schematics:	T: Tray
000-099: 100 Base-T	
100-199: 1000 Base-T	
Gold Plating	
2: 3u"	
3: 6u"	
4: 15u"	
5: 30u"	

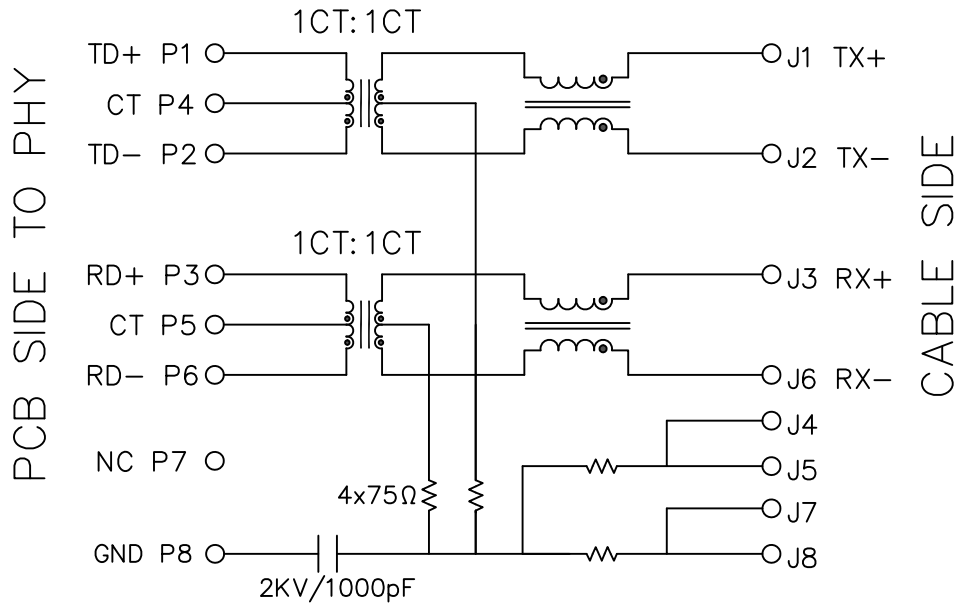
Recommended PCB Layout
 (Tolerance: ±0.05)

QUALITY SYMBOLS ■: CRITICAL ▽: ZERO DEFECT ☒: MAJOR ▽: S.P.C	UNIT: mm SCALE: 2:1	Size: A4
--	------------------------	----------

TOLERANCE UNLESS OTHERWISE SPECIFIED:	
DECIMALS:	ANGLES:
X: ±0.5	X: ±2°
X.X: ±0.3	X.X: ±1°
X.XX: ±0.2	

Yee YEESHINE TECHNOLOGY		DONGGUAN CHINA	
APPROVED	CHECKED	DRAWN	PART NO.
22May2015 K.L.	22May2015 Jack Liu	20May2015 Jack Liu	RJ21210-001-3T
DESCRIPTION		1x1 Port Magnetic Jack-100M, Latch Down, With EMI Spring, W/D LED	
CUSTOMER COPY	SHEET	1 OF 2	DRAWING NO. YEE150037 REV R1

REV.	DESCRIPTION	ECN NO.	APPD.
R1	NEW RELEASE		



2, ELECTRICAL(@25°C):

- a Inductance: 350uH Min With 8mA DC bias.
- b Insertion loss :
1-100MHZ -1dB max.
- c Return loss :
1-30MHZ -18dB min.
30-60MHZ -16dB min.
60-80MHZ -12dB min.
- d Common Mode Rejection:1-100MHZ -30dB min.
- e Cross Talk:1-100MHZ -30dB min.

3, MECHANICAL:

- a Durability: 750 cycles Min.

4, ENVIRONMENTAL:

- a Storage: -20°C to +75°C.
- b Operation: : -0°C to +70°C.
- c Wave soldering peak temperature:260°C.
- d Lead-free process,compliant RoHS.

<p>QUALITY SYMBOLS</p> <p>■ : CRITICAL</p> <p>▽ : ZERO DEFECT</p> <p>☒ : MAJOR</p> <p>▽ : S.P.C</p>	<p>UNIT: mm</p> <p>SCALE: 2:1</p>	<p>Size: A4</p>
---	-----------------------------------	-----------------

TOLERANCE UNLESS OTHERWISE SPECIFIED:	
DECIMALS: X: ±0.5	ANGLES: X: ±2°
X.X: ±0.3	X.X: ±1°
X.XX: ±0.2	

Yee YEESHINE TECHNOLOGY DONGGUAN CHINA

APPROVED	CHECKED	DRAWN	PART NO.	RJ21210-001-3T
K.L.	Jack Liu	Jack Liu	DESCRIPTION	1x1 Port Magnetic Jack-100M, Latch Down, With EMI Spring, W/D LED
CUSTOMER COPY		SHEET	2 OF 2	DRAWING NO. YEE150037
			REV	R1