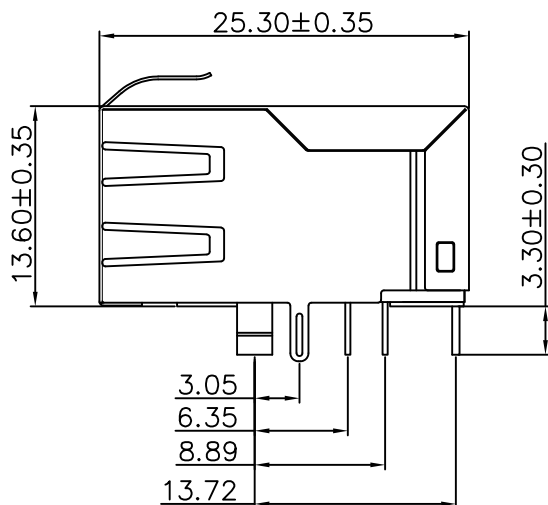
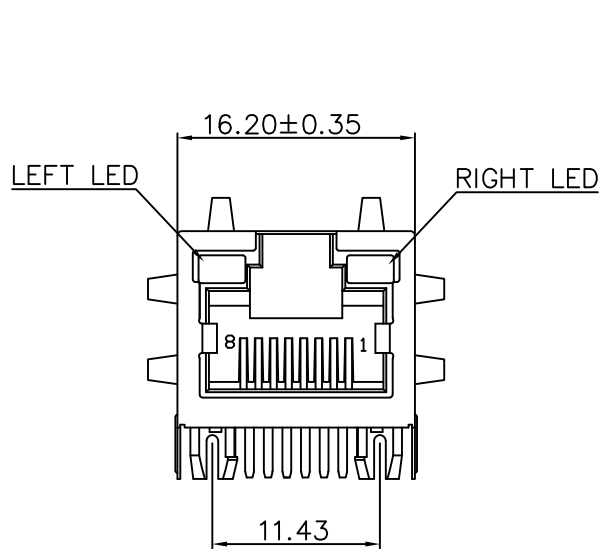


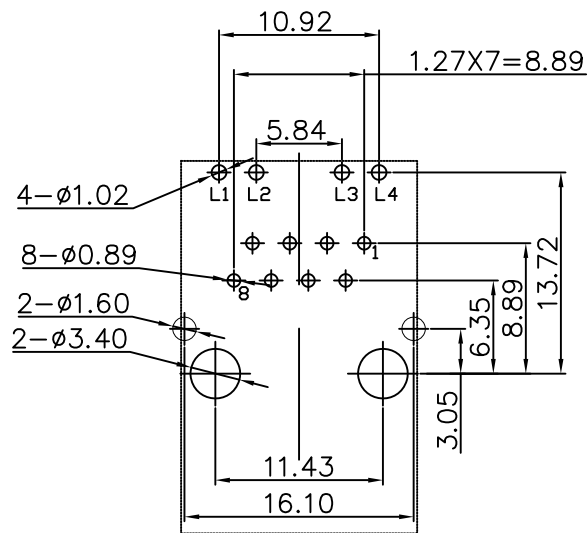
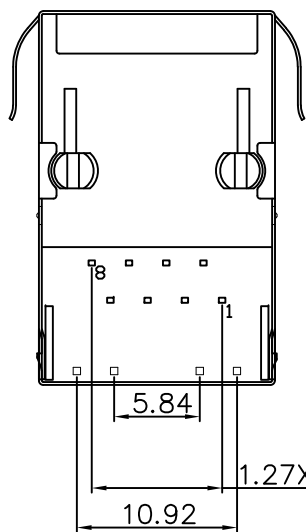
ROHS ENVIRONMENTAL PROTECTION

REV.	DESCRIPTION	ECN NO.	APPD.
R1	NEW RELEASE		



SPECIFICATION:
 JACK CAVITY CONFORMS TO FCC RULES AND REGULATIONS: PART 68 SUBPART F.

- 1, Material:
- a Housing: PBT UL94V-0 Black.
 - b Contact :Phosphor Bronze,Gold plated on contact area 6u".
 - c Input Terminal : Brass.
 - d Metal shielding:Copper alloy with Nickel plated.



RJ11217- 011 - L X 3 T

Series
Schematics:
000-099: 100 Base-T
100-199: 1000 Base-T

Packing
T: Tray

LED Options
L1: L: GRE ; R: YEL
L2: L: YEL ; R: GRE
L4: L: GRE ; R: GRE

Gold Plating
2: 3u"
3: 6u"
4: 15u"
5: 30u"

Recommended PCB Layout
 (Tolerance: ±0.05)

QUALITY SYMBOLS ■ : CRITICAL ▽ : ZERO DEFECT ☒ : MAJOR ▽ : S.P.C	UNIT: mm SCALE: 2:1	Size: A4
--	------------------------	----------

TOLERANCE UNLESS OTHERWISE SPECIFIED:	
DECIMALS:	ANGLES:
X: ±0.5	X: ±2°
X.X: ±0.3	X.X: ±1°
X.XX: ±0.2	

Yee YEESHINE TECHNOLOGY DONGGUAN CHINA

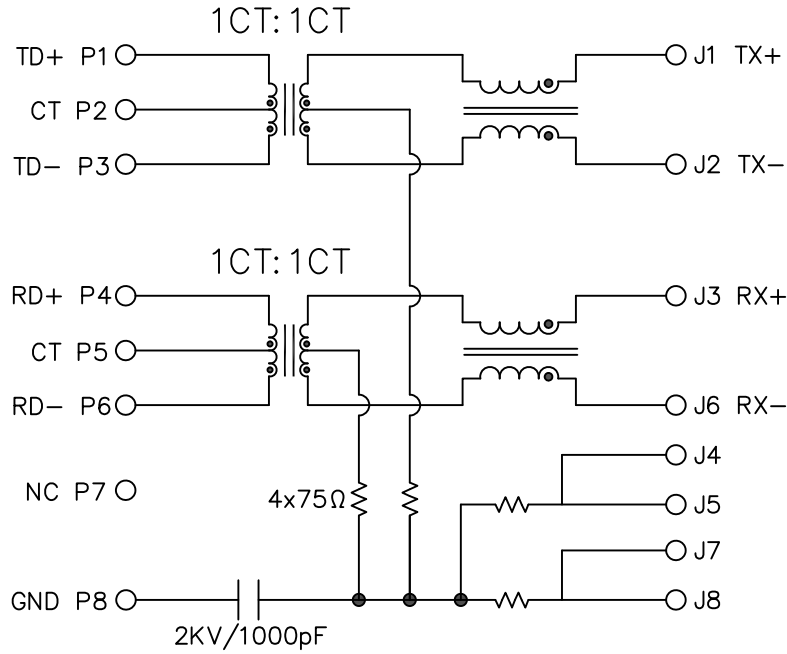
APPROVED	CHECKED	DRAWN	PART NO.	RJ11217-011-LX3T
22JUN2015 K.L.	22JUN2015 Jack Liu	20JUN2015 Jack Liu	DESCRIPTION	1x1 Port Magnetic Jack-100M, Latch Up, With EMI Spring, With LED
CUSTOMER COPY		SHEET	1 OF 2	DRAWING NO. YEE150101
				REV R1

www.yeeshine-link.com

www.yeeshine-link.com

REV.	DESCRIPTION	ECN NO.	APPD.
R1	NEW RELEASE		

PCB SIDE TO PHY



CABLE SIDE

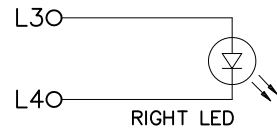
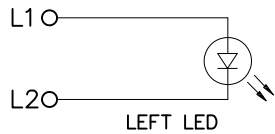
- ELECTRICAL(@25°C):
 - Inductance: 350uH Min With 8mA DC bias.
 - Insertion loss :

1-100MHZ	-1dB max.
----------	-----------
 - Return loss :

1-30MHZ	-18dB min.
30-60MHZ	-16dB min.
60-80MHZ	-12dB min.
 - Common Mode Rejection: 1-100MHZ -30dB min.
 - Cross Talk: 1-100MHZ -30dB min.

- MECHANICAL:
 - Durability: 750 cycles Min.

- ENVIRONMENTAL:
 - Storage: -20°C to +75°C.
 - Operation: : -0°C to +70°C.
 - Wave soldering peak temperature: 260°C.
 - Lead-free process, compliant RoHS.



Emitting Color	λp(nm)	Vf@If=20mA
Green	565	1.8-2.5V
Yellow	585	1.8-2.5V

QUALITY SYMBOLS		UNIT: mm	Size: A4
■: CRITICAL	☒: MAJOR	SCALE: 2:1	A4
▽: ZERO DEFECT	▽: S.P.C		

TOLERANCE UNLESS OTHERWISE SPECIFIED:	
DECIMALS: X: ±0.5	ANGLES: X: ±2°
X.X: ±0.3	X.X: ±1°
X.XX: ±0.2	

Yee YEESHINE TECHNOLOGY				DONGGUAN CHINA	
APPROVED	CHECKED	DRAWN	PART NO.	RJ11217-011-LX3T	
22JUN2015	22JUN2015	20JUN2015	DESCRIPTION	1x1 Port Magnetic Jack-100M, Latch Up, With EMI Spring, With LED	
K.L.	Jack Liu	Jack Liu	CUSTOMER COPY	SHEET 2 OF 2	DRAWING NO. YEE150101 REV R1