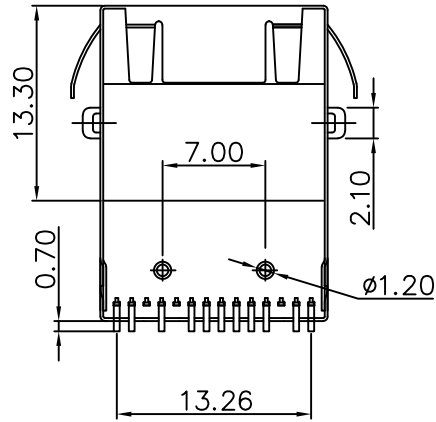
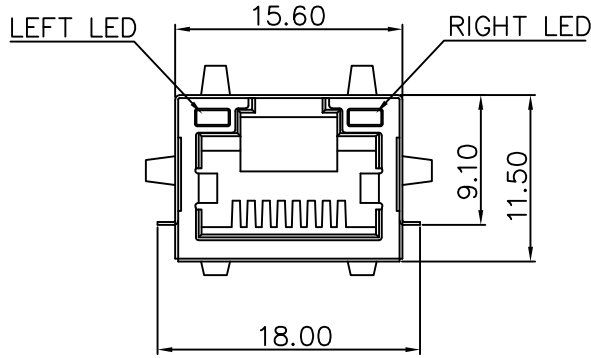
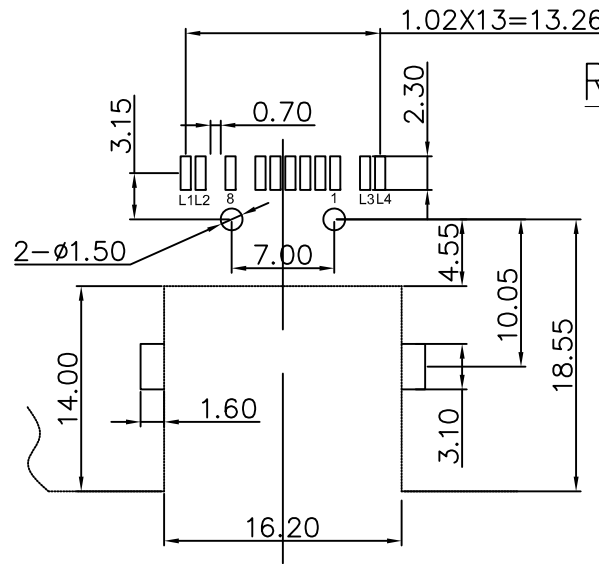
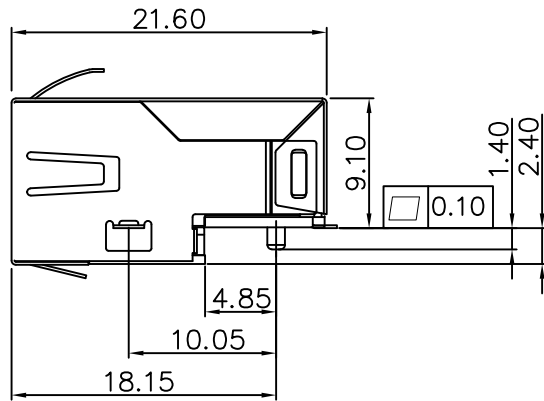


REV.	DESCRIPTION	ECN NO.	APPD.
R1	NEW RELEASE		



SPECIFICATION:
 JACK CAVITY CONFORMS TO FCC RULES AND REGULATIONS: PART 68 SUBPART F.

- 1, Material:
- a Housing: PBT UL94V-0 Black.
 - b Contact :Phosphor Bronze,Gold plated on contact area 6u".
 - c Input Terminal : Brass.
 - d Metal shielding:Copper alloy with Nickel plated.



RJ11217SA- 011 - L X 3 T

Series	Packing
Schematics:	T: Tray
000-099: 100 Base-T	
100-199: 1000 Base-T	
LED Options	Gold Plating
L1: L: GRE ; R: YEL	2: 3u"
L2: L: YEL ; R: GRE	3: 6u"
	4: 15u"
	5: 30u"

Suggested PCB Layout(Top View)
 (Tolerance: ± 0.05)

QUALITY SYMBOLS	: CRITICAL : ZERO DEFECT	: MAJOR S.P.C.	: UNIT: mm SCALE: 2:1 : Size: A4
-----------------	-----------------------------	----------------	--

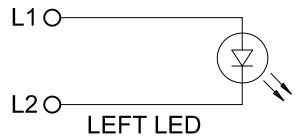
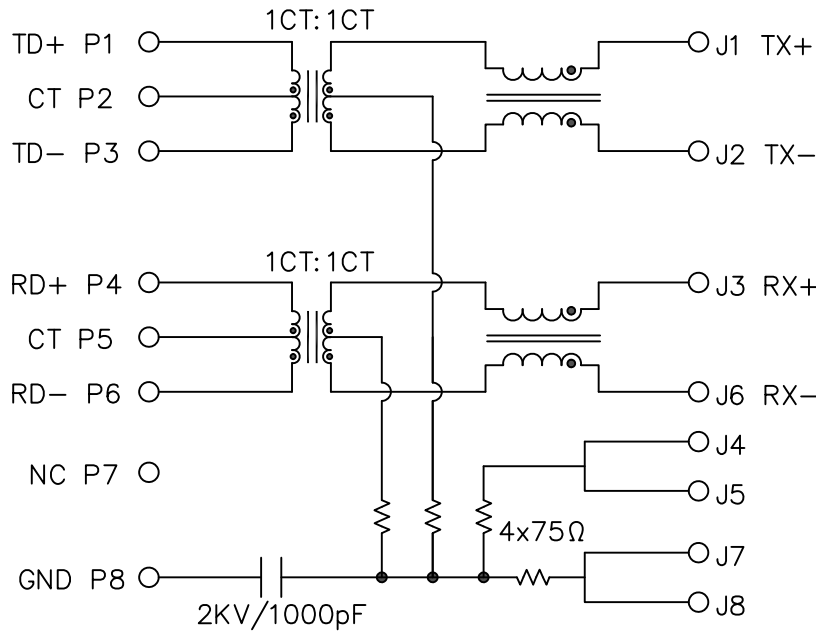
TOLERANCE UNLESS OTHERWISE SPECIFIED:	
DECIMALS:	ANGLES:
X: ± 0.5	X: $\pm 2^\circ$
X.X: ± 0.3	X.X: $\pm 1^\circ$
X.XX: ± 0.2	

Yee YEESHINE TECHNOLOGY		DONGGUAN CHINA	
APPROVED	CHECKED	DRAWN	PART NO.
18Feb2016	18Feb2016	14Feb2016	RJ11217SA-011-LX3T
K.L.	Jack Liu	Jack Liu	DESCRIPTION
CUSTOMER COPY			1x1 Port Low Profile Offset Magnetic Jack-100M, Latch Up, With EMI Spring, With LED
SHEET		1 OF 2	DRAWING NO. YEE160035
			REV R1

REV.	DESCRIPTION	ECN NO.	APPD.
R1	NEW RELEASE		

PCB SIDE TO PHY

CABLE SIDE



2, ELECTRICAL(@25°C):

- a Inductance: 350uH Min With 8mA DC bias.
- b Insertion loss :
1-100MHZ -1dB max.
- c Return loss :
1-30MHZ -18dB min.
30-60MHZ -16dB min.
60-80MHZ -12dB min.
- d Common Mode Rejection:1-100MHZ -30dB min.
- e Cross Talk:1-100MHZ -30dB min.

3, MECHANICAL:

- a Durability: 750 cycles Min.

4, ENVIRONMENTAL:

- a Storage: -20°C to +75°C.
- b Operation: : -0°C to +70°C.
- c IR Reflow peak temperature: 250±5°C/10s Max.
- d Lead-free process,compliant RoHS.

Emitting Color	λp(nm)	Vf@If=20mA
Green	565	1.8-2.5V
Yellow	585	1.8-2.5V

QUALITY SYMBOLS		UNIT: mm	Size:
■: CRITICAL	☒: MAJOR	SCALE: 2:1	A4
▽: ZERO DEFECT	▽: S.P.C		

TOLERANCE UNLESS OTHERWISE SPECIFIED:	
DECIMALS:	ANGLES:
X: ±0.5	X: ±2°
X.X: ±0.3	X.X: ±1°
X.XX: ±0.2	

Yee YEESHINE TECHNOLOGY				DONGGUAN CHINA	
APPROVED	CHECKED	DRAWN	PART NO.	RJ11217SA-011-LX3T	
18Feb2016 K.L.	18Feb2016 Jack Liu	14Feb2016 Jack Liu	DESCRIPTION	1x1 Port Low Profile Offset Magnetic Jack-100M, Latch Up, With EMI Spring, With LED	
CUSTOMER COPY		SHEET	2 OF 2	DRAWING NO.	YEE160035 REV R1