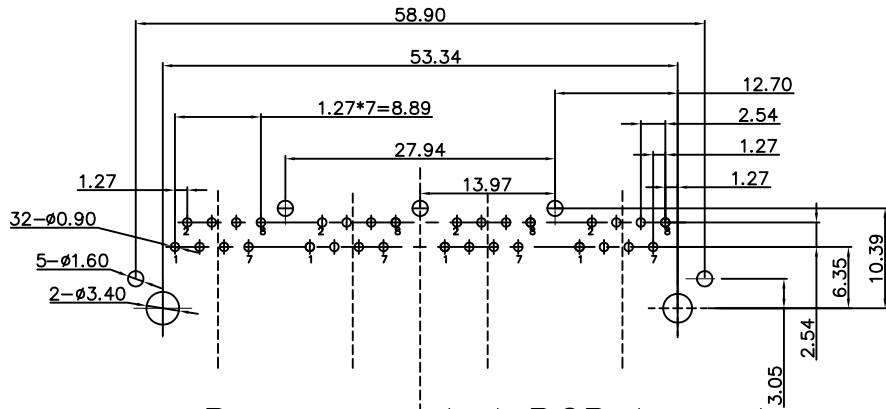
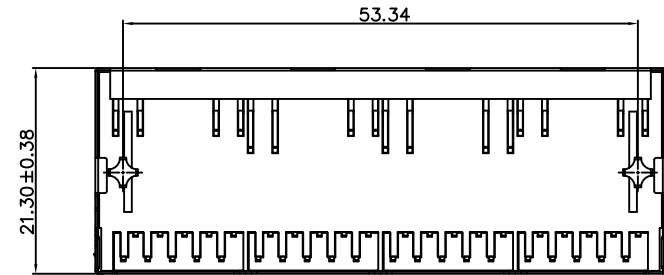
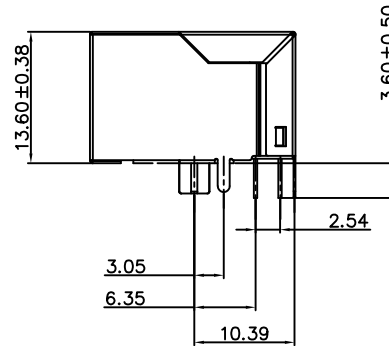
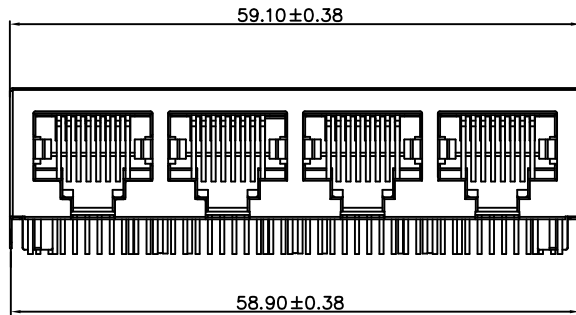


REV.	DESCRIPTION	ECN NO.	APPD.
R1	NEW RELEASE		

SPECIFICATION:
 JACK CAVITY CONFORMS TO FCC RULES AND REGULATIONS: PART 68 SUBPART F.

1, Material:

- a Housing: PBT UL94V-0 Black.
- b Contact :Phosphor Bronze,Gold plated on contact area 6u".
- c Input Terminal : Brass.
- d Metal shielding:Copper alloy with Nickel plated.



Recommended PCB Layout
 (Tolerance: ±0.05)

RJ1422210-011-3T

Series

Packing

T: Tray

Schematics:

000-099: 100 Base-T

100-199: 1000 Base-T

QUALITY SYMBOLS	: CRITICAL : ZERO DEFECT	: MAJOR S.P.C
-----------------	-----------------------------	---------------

: UNIT: mm SCALE: 2:1	: Size: A4
--------------------------	------------

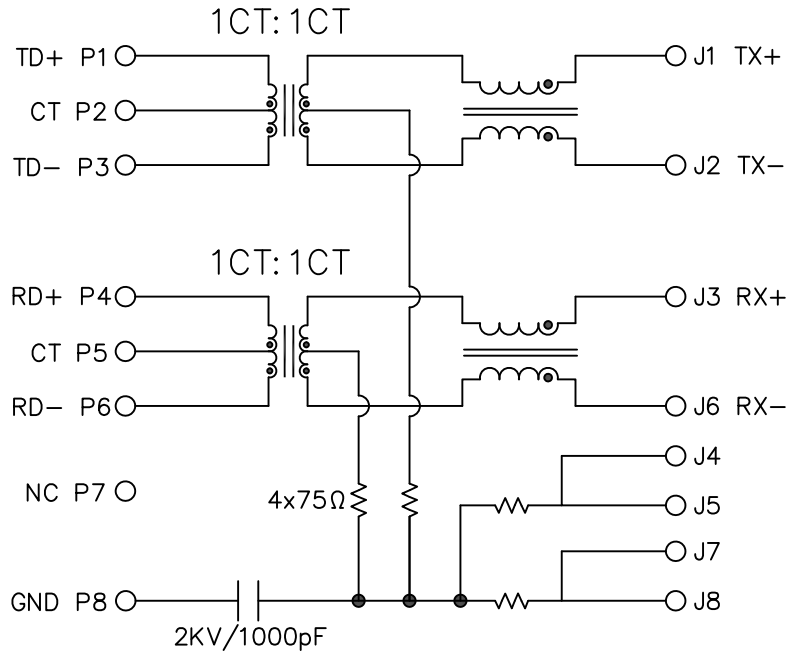
TOLERANCE UNLESS OTHERWISE SPECIFIED:	
DECIMALS: X: ±0.5	ANGLES: X: ±2°
X.X: ±0.3	X.X: ±1°
X.XX: ±0.2	

Yee YEESHINE TECHNOLOGY DONGGUAN CHINA

APPROVED	CHECKED	DRAWN	PART NO.	RJ1422210-011-3T
11JUN2016 K.L.	11JUN2016 Jack Liu	10JUN2016 Jack Liu	DESCRIPTION	1x4 Port Magnetic Jack-100M, Latch Down, W/D EMI Spring, W/D LED
CUSTOMER COPY		SHEET	1 OF 2	DRAWING NO. YEE160066 REV R1

REV.	DESCRIPTION	ECN NO.	APPD.
R1	NEW RELEASE		

PCB SIDE TO PHY



CABLE SIDE

2, ELECTRICAL(@25°C):

- a Inductance: 350uH Min With 8mA DC bias.
- b Insertion loss :
1-100MHZ -1dB max.
- c Return loss :
1-30MHZ -18dB min.
30-60MHZ -16dB min.
60-80MHZ -12dB min.
- d Common Mode Rejection:1-100MHZ -30dB min.
- e Cross Talk:1-100MHZ -30dB min.

3, MECHANICAL:

- a Durability: 750 cycles Min.

4, ENVIRONMENTAL:

- a Storage: -20°C to +75°C.
- b Operation: : -0°C to +70°C.
- c Wave soldering peak temperature:260°C.
- d Lead-free process,compliant RoHS.

QUALITY SYMBOLS	
■ : CRITICAL	⊗ : MAJOR
▽ : ZERO DEFECT	▽ : S.P.C
UNIT: mm	Size: A4
SCALE: 2:1	

TOLERANCE UNLESS OTHERWISE SPECIFIED:	
DECIMALS: X: ±0.5	ANGLES: X: ±2°
X.X: ±0.3	X.X: ±1°
X.XX: ±0.2	

Yee YEESHINE TECHNOLOGY DONGGUAN CHINA

APPROVED	CHECKED	DRAWN	PART NO.	RJ1422210-011-3T
11JUN2016 K.L.	11JUN2016 Jack Liu	10JUN2016 Jack Liu	DESCRIPTION	1x4 Port Magnetic Jack-100M, Latch Down, W/D EMI Spring, W/D LED
CUSTOMER COPY		SHEET	2 OF 2	DRAWING NO. YEE160066 REV R1