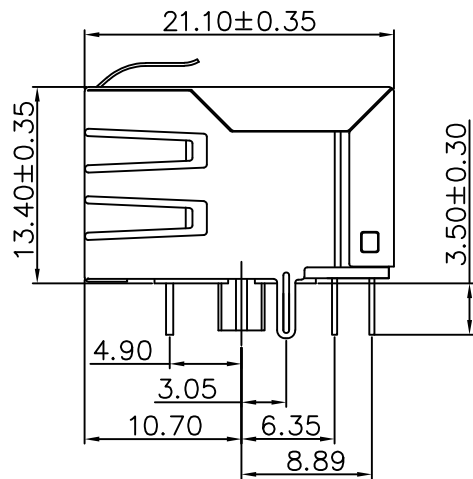
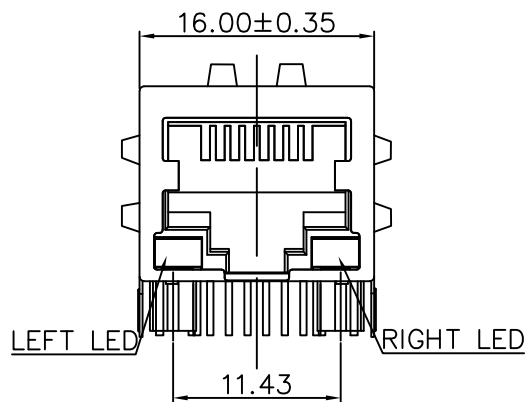


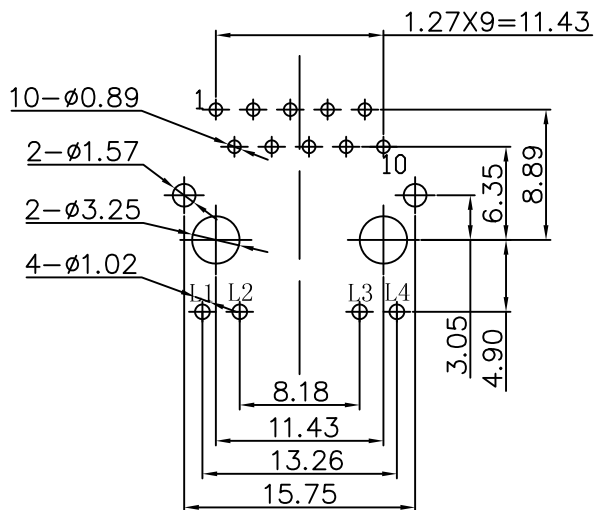
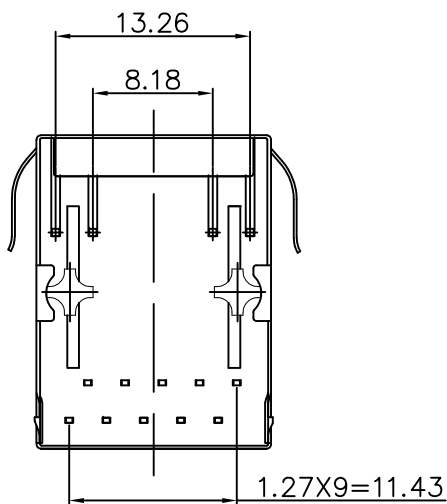
ROHS ENVIRONMENTAL PROTECTION

REV.	DESCRIPTION	ECN NO.	APPD.
R1	NEW RELEASE		



SPECIFICATION:  
 JACK CAVITY CONFORMS TO FCC RULES AND REGULATIONS: PART 68 SUBPART F.

- 1, Material:
- a Housing: PBT UL94V-0 Black.
  - b Contact :Phosphor Bronze,Gold plated on contact area 6u".
  - c Input Terminal : Brass.
  - d Metal shielding:Copper alloy with Nickel plated.



Suggested PCB Layout(Top View)  
 (Tolerance: ±0.05)

RJ21232A- 313 - L X 3 T

Series	Packing
Schematics:	T: Tray
100-199: 1000 Base-T	
300-399: 2.5G Base	
LED Options	Gold Plating
L1: L: GRE ; R: YEL	2: 3u"
L2: L: YEL ; R: GRE	3: 6u"
	4: 15u"
	5: 30u"

www.yeeshine-link.com

www.yeeshine-link.com

QUALITY SYMBOLS	: CRITICAL : ZERO DEFECT	: MAJOR S.P.C.	: UNIT: mm SCALE: 2:1 : Size: A4
-----------------	-----------------------------	----------------	--

TOLERANCE UNLESS OTHERWISE SPECIFIED:	
DECIMALS:	ANGLES:
X: ±0.5	X: ±2°
X.X: ±0.3	X.X: ±1°
X.XX: ±0.2	

**Yee YEESHINE TECHNOLOGY** DONGGUAN CHINA

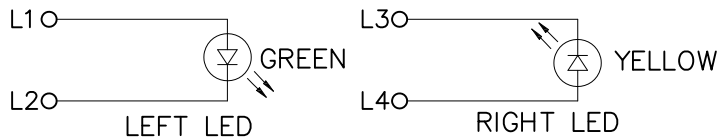
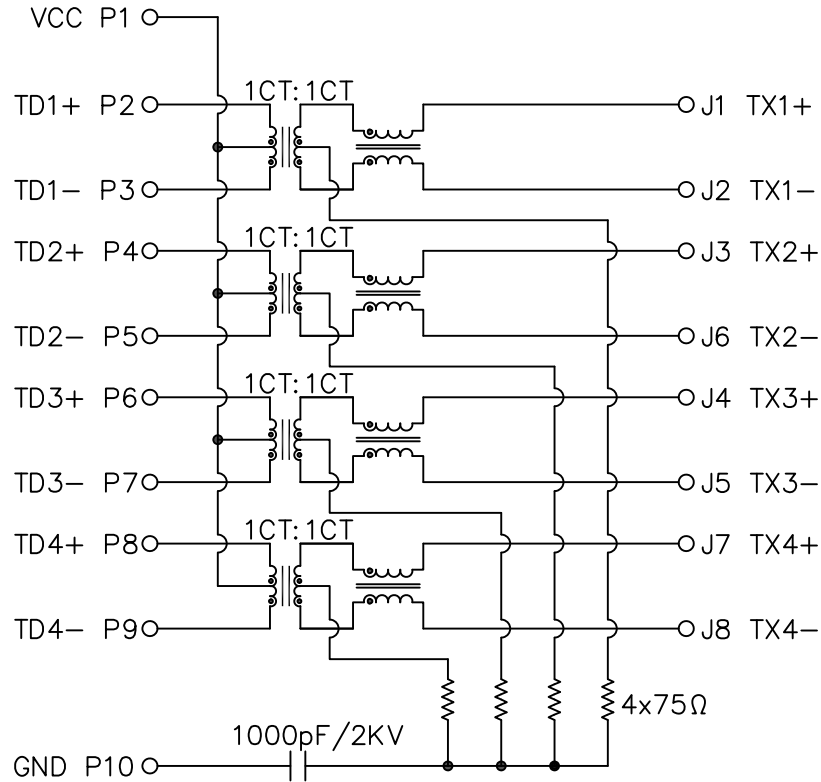
APPROVED	CHECKED	DRAWN	PART NO.	RJ21232A-313-LX3T
05APR2016 K.L.	05APR2016 Jack Liu	03APR2016 Jack Liu	DESCRIPTION	1x1 Port Magnetic Jack-2.5G, Latch Down, With EMI Spring, With LED(4.90mm)
CUSTOMER COPY		SHEET	1 OF 2	DRAWING NO. YEE160221 REV R1

ROHS ENVIRONMENTAL PROTECTION

REV.	DESCRIPTION	ECN NO.	APPD.
R1	NEW RELEASE		

PCB SIDE TO PHY

CABLE SIDE



2, ELECTRICAL(@25°C):

- a Inductance: 180uH Min With 8mA DC bias.
- b Insertion loss :
  - 1-50MHZ -0.5dB max.
  - 50-125MHZ -1dB max.
  - 125-200MHZ -2dB max.
- c Return loss :
  - 1-40MHZ -20dB min.
  - 40-200MHZ -20+15\*log(Freq MHz/40MHz)dB min.
- d Common Mode Rejection:
  - 1-50MHZ -35dB min.
  - 125MHZ -30dB min.
  - 200MHZ -25dB min.
- e Cross Talk:
  - 1-40MHZ -35dB min.
  - 40-125MHZ -35+15\*log(Freq MHz/40MHz)dB min.

3, MECHANICAL:

- a Durability: 750 cycles Min.

4, ENVIRONMENTAL:

- a Storage: -20°C to +75°C.
- b Operation: : -0°C to +70°C.
- c Wave soldering peak temperature: 260°C.
- d Lead-free process,compliant RoHS.

Emitting Color	λp(nm)	Vf@If=20mA
Green	565	1.8-2.5V
YELLOW	585	1.8-2.5V

QUALITY SYMBOLS	TOLERANCE UNLESS OTHERWISE SPECIFIED:
■: CRITICAL	DECIMALS: X: ±0.5
⊠: MAJOR	ANGLES: X: ±2°
▽: ZERO DEFECT	X.X: ±0.3
▽: S.P.C	X.XX: ±0.2

UNIT: mm	Size:
SCALE: 2:1	A4

Yee YEESHINE TECHNOLOGY		DONGGUAN CHINA	
APPROVED	CHECKED	DRAWN	PART NO.
05APR2016	05APR2016	03APR2016	RJ21232A-313-LX3T
K.L.	Jack Liu	Jack Liu	DESCRIPTION
CUSTOMER COPY		SHEET	2 OF 2
DRAWING NO.		YEE160221	
REV		R1	